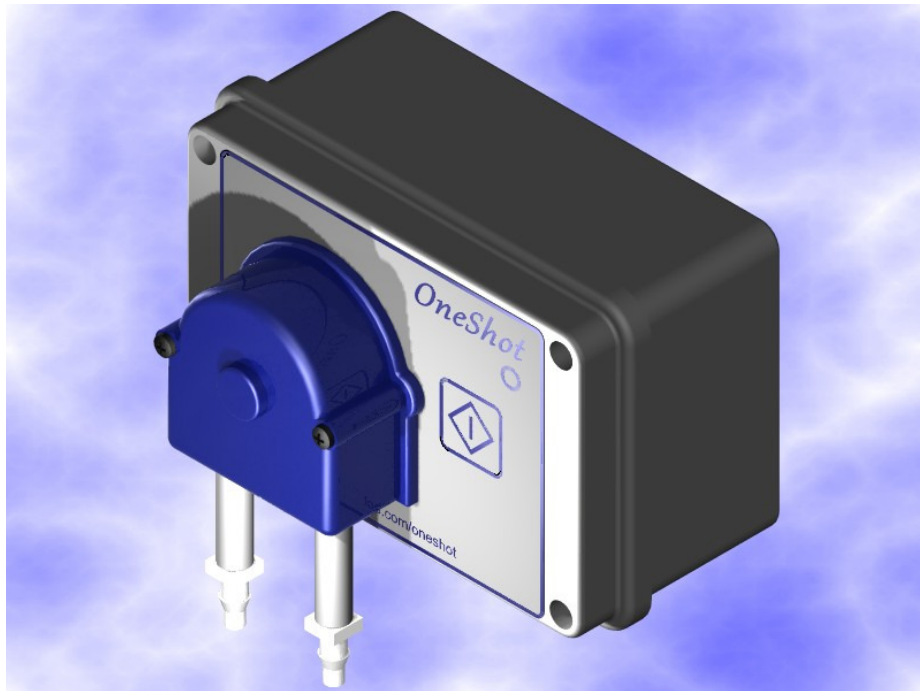


OneShot Low cost Dose Dispensing / Filling

Specification Sheet 1 (last updated May 2019)



- Single dose dispense on operation of membrane button.
- Easy dose volume setting.
- Standard 200 series mini peristaltic pump head.
- Various tube materials & sizes.
- Fast & slow speed option.
- Flow rates up to 165 ml/min.
- Supplied with 24v DC Plug top power supply complete with UK, EU & US AC connection heads.
- AC mains supply 90-264v.
- Optional Higher Accuracy Filling Version
- Wall mounting .
- Optional stainless steel bench stand.
- Optional install kit.

Operating instructions:

To prime tube press and hold start button until led flashes, press and hold start again and led flashes slower, press and hold again led flashes fast. Press button (short press) pump will run, press button to stop pump when complete.

To set dose/filling volume press and hold start button until led flashes, press and hold again led flashes slower. The next start button press (short press) will start pump. Using container or measuring cylinder collect pump output, once desired amount is achieved press button again which will stop pump and commit setting to memory.

Unit can be re-programmed as often as required and will save the last setting entered even after power is removed from the unit.

To fill or dose press start button once, pump will then discharge volume as set. On the standard dosing version there is an approx 18 sec delay before the dose can be repeated. On the filling version this delay is 1 sec.

Maximum single dose volume is flow rate (ml) x 275.

Pump head supplied as standard with 4mm tube connectors.

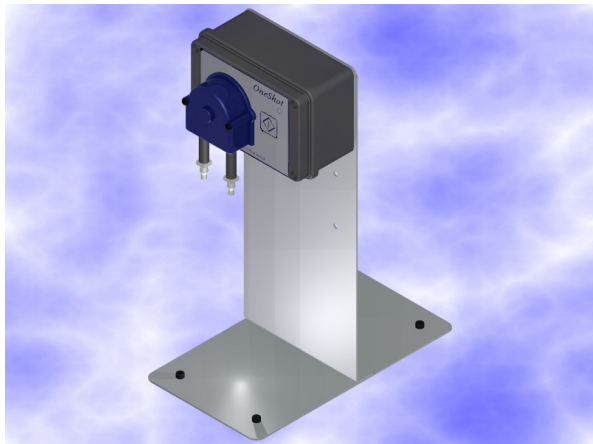
Williamson Manufacturing Company Ltd

Unit 5, Lady Bee Industrial Estate, Albion Street, Southwick, West Sussex, BN42 4EP, UK.
Tel +44(0)1273 857752 E Mail:- sales@williamsonpumps.co.uk Web www.wmcpumps.com

OneShot Low cost Dose Dispensing / Filling

Specification Sheet 2 (last updated May 2019)

Optional Bench stand.



Stand supplied un-assembled.

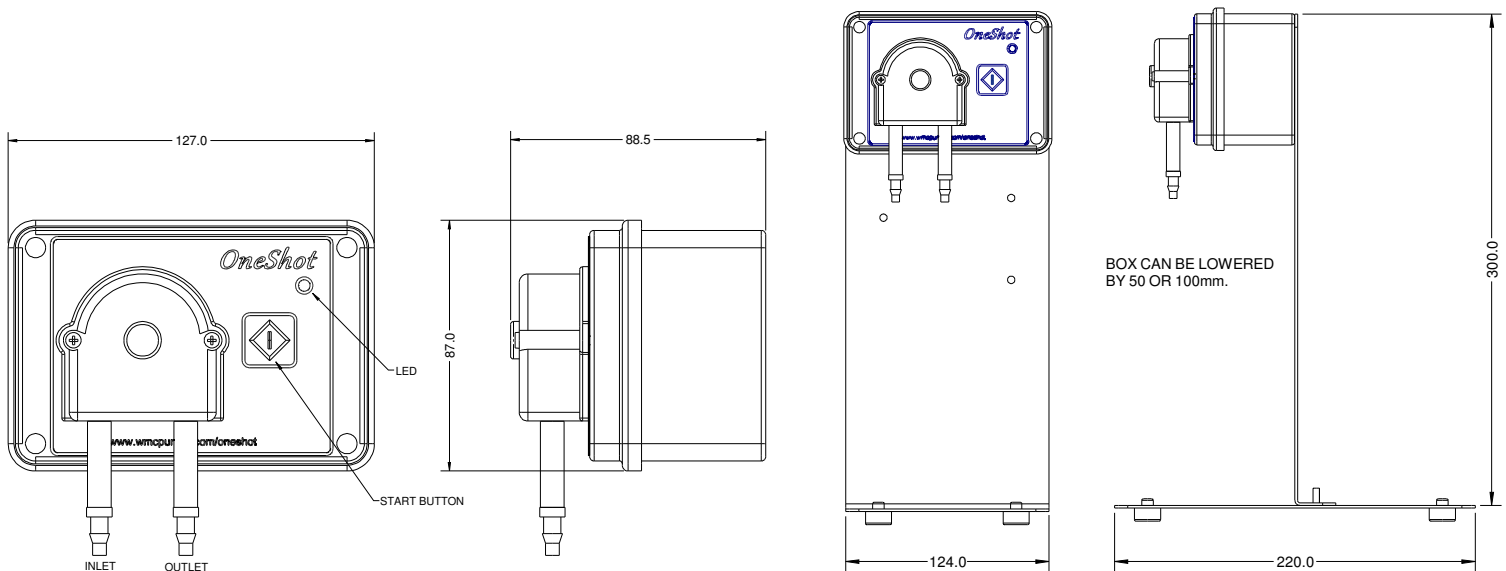
To assemble fit upright to base using nuts & washers supplied. Remove front of OneShot box and screw through rear of box and upright using screws, nuts and washers supplied. Height of box can be set to 1 of 3 positions.

Fit feet supplied into base.

If screwing to bench omit feet.

Optional Install kit.

Comprises: 6M of 4mm I.D pvc suction/discharge tube, Tube weight, Foot filter and 4 cable ties.



Important: The standard version of this pump is supplied sealed so the tube cannot be changed. The pump has been designed so that when the pump head has worn out it is changed as a whole. We are able to supply pumpheads unsealed for customers that wish to change the tubing periodically. Please contact our office for details.

Williamson Manufacturing Company Ltd

Unit 5, Lady Bee Industrial Estate, Albion Street, Southwick, West Sussex, BN42 4EP, UK.
Tel +44(0)1273 857752 E Mail:- sales@williamsonpumps.co.uk Web www.wmcpumps.com

OneShot Low cost Dose Dispensing / Filling

Specification Sheet 3 (last updated May 2019)

These units come as standard with plug top power supply with 1.8m jack lead and all use the standard 200 series mini-pump head, which can be supplied fitted with Silicone, Santoprene™, or Viton® tubing in a variety of sizes to suit virtually any application regardless of chemical compatibility, as detailed below. The easiest way to place an order is via our online shop at <http://www.williamson-shop.co.uk> but please contact us for requirements not listed or to place an order over the phone. Prices plus UK VAT & Carriage.

MODEL NUMBER.	FLOW ml/min.	RPM.	TUBE I.D	TUBE MATERIAL.
OS.200.035.008	2	35	0.8mm	Silicone
OS.200.035.016	7	35	1.6mm	Silicone
OS.200.035.030	20	35	3mm	Silicone
OS.200.035.050	40	35	5mm	Silicone
OS.200.140.016	28	140	1.6mm	Silicone
OS.200.140.030	80	140	3mm	Silicone
OS.200.140.050	165	140	5mm	Silicone
OS.201.035.008	2	35	0.8mm	Norprene® A60F
OS.201.035.016	7	35	1.6mm	Norprene® A60F
OS.201.035.030	19	35	3mm	Norprene® A60F
OS.201.035.050	38	35	5mm	Norprene® A60F
OS.201.140.016	28	140	1.6mm	Norprene® A60F
OS.201.140.030	76	140	3mm	Norprene® A60F
OS.201.140.050	150	140	5mm	Norprene® A60F
OS.202.035.008	2	35	0.8mm	Viton®
OS.202.035.016	6	35	1.6mm	Viton®
OS.202.035.030	16	35	3mm	Viton®
OS.202.035.050	32	35	5mm	Viton®
OS.202.140.016	22	140	1.6mm	Viton®
OS.202.140.030	63	140	3mm	Viton®
OPTIONS	MODEL No.			
Filler Version	Suffix .F			
Bench stand	OS.BSTAND			
Installation kit	OS.INST.KIT			
(ALL FLOW RATES ARE FOR GUIDANCE ONLY)				

Williamson Manufacturing Company Ltd

Unit 5, Lady Bee Industrial Estate, Albion Street, Southwick, West Sussex, BN42 4EP, UK.
 Tel +44(0)1273 857752 E Mail:- sales@williamsonpumps.co.uk Web www.wmcpumps.com