

200 CM variable speed cased pump

Specification Sheet 1 (last updated May 2019)



The 200CM Series pump is available in numerous configurations allowing you to specify tubing type, tubing bore ID, RPM, voltage, and as a consequence, flow rate.

These pumps are low cost, compact and ideal for a wide range of low pressure dosing duties. The units are prewired for simplicity of installation and all use the standard 200 series mini-pump head, which can be supplied fitted with Silicone, Santoprene™, or Viton® tubing in a variety of sizes to suit virtually any application, regardless of chemical compatibility. The new twin adjustment facility allows the user to adjust both pump speed and reduce run time to give a wide adjustment of flow range from maximum down to 10%.

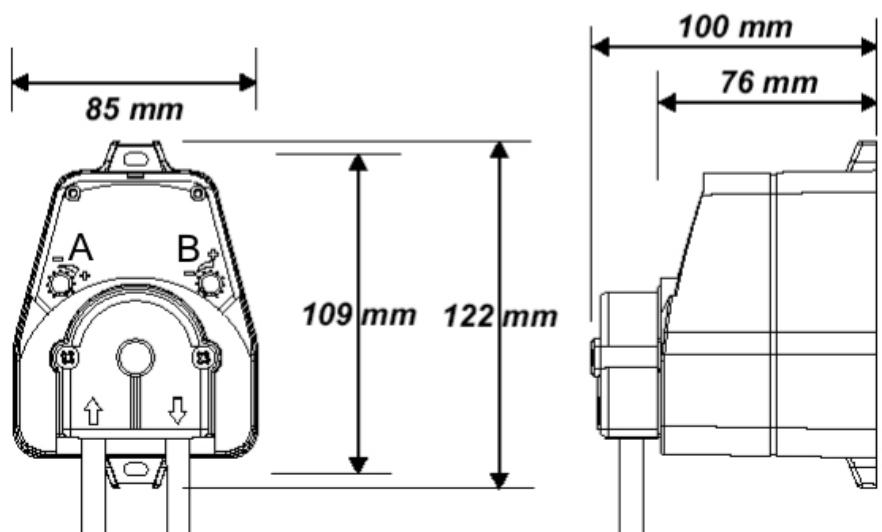
Adjuster (A) gives cycling time adjustment, ranging from continuous running at MAX setting to an intermittent 3 seconds off/1 second on when reduced to MIN setting. Adjuster (B) gives a range of flow control from maximum speed down to approximately 35% of full flow. See line drawing below.

As standard they are available in 24v (AC or DC) & 230v AC, however for large volumes they can be produced to a custom spec complete with private labelling.

The optional Installation kit comprises of 5m PVC tube (4mmID, 6mmOD), 2 x fixing plugs & screws, Suction weight, Foot filter, 2 x barbed PP tube connectors, and 4 x cable ties. There is also an option to choose (at extra cost) an injection valve where the pump is being used to dose into a pressure line (max pressure 2 bar - 25psi)

The easiest way to place an order or check prices is via our online shop at <http://www.williamson-shop.co.uk> but please contact us for any requirements not listed or to place an order over the phone.

- Splash proof ABS injection moulded case.
- Available in various colours for volume applications
- Dual speed control and cycling timer function
- Choice of supply voltage
- Uses standard 200 series mini pump heads
- Flow rates from 0.5ml → 160ml per minute
- Four tube materials and three tube sizes available.



Williamson Manufacturing Company Ltd

Unit 5, Lady Bee Industrial Estate, Albion Street, Southwick, West Sussex, BN42 4EP, UK.
Tel +44(0)1273 857752 E Mail:- sales@williamsonpumps.co.uk Web www.wmcpumps.com

200 CM variable speed cased pump

Specification Sheet 2 (last updated May 2019)



These units are prewired for simplicity of installation and all use the standard 200 series mini-pump head, which can be supplied fitted with Silicone, Santoprene™, or Viton® tubing in a variety of sizes to suit virtually any application regardless of chemical compatibility, as detailed below. The easiest way to place an order or check prices is via our online shop at <http://www.williamson-shop.co.uk> but please contact us for requirements not listed or to place an order over the phone. Prices plus UK VAT & Carriage.

Important: The standard version of this pump is supplied sealed so the tube cannot be changed. The pump has been designed so that when the pump head has worn out it is changed as a whole. We are able to supply pumpheads unsealed for customers that wish to change the tubing periodically. Please contact our office for details.

Model No	Series	ml/min	Rollers	RPM	Voltage	Tube id/material
200.070.024.016CM	Variable speed cased	14	3	70rpm	24vDC	1.6mm silicone.
200.070.024.030CM	Variable speed cased	41	3	70rpm	24vDC	3mm silicone.
200.070.024.050CM	Variable speed cased	83	3	70rpm	24vDC	5mm silicone.
200.140.024.016CM	Variable speed cased	28	3	140rpm	24vDC	1.6mm silicone.
200.140.024.030CM	Variable speed cased	81	3	140rpm	24vDC	3mm silicone.
200.140.024.050CM	Variable speed cased	165	3	140rpm	24vDC	5mm silicone.
200.070.230.016CM	Variable speed cased	14	3	70rpm	230vAC	1.6mm silicone.
200.070.230.030CM	Variable speed cased	41	3	70rpm	230vAC	3mm silicone.
200.070.230.050CM	Variable speed cased	83	3	70rpm	230vAC	5mm silicone.
200.140.230.016CM	Variable speed cased	28	3	140rpm	230vAC	1.6mm silicone.
200.140.230.030CM	Variable speed cased	81	3	140rpm	230vAC	3mm silicone.
200.140.230.050CM	Variable speed cased	165	3	140rpm	230vAC	5mm silicone.
201.070.024.016CM	Variable speed cased	14	3	70rpm	24vDC	1.6mm Norprene®
201.070.024.030CM	Variable speed cased	38	3	70rpm	24vDC	3mm Norprene®
201.070.024.050CM	Variable speed cased	76	3	70rpm	24vDC	5mm Norprene®
201.140.024.016CM	Variable speed cased	28	3	140rpm	24vDC	1.6mm Norprene®
201.140.024.030CM	Variable speed cased	76	3	140rpm	24vDC	3mm Norprene®
201F.140.024.050CM	Variable speed cased	151	3	140rpm	24vDC	5mm Food sant
201.070.230.016CM	Variable speed cased	14	3	70rpm	230vAC	1.6mm Norprene®
201.070.230.030CM	Variable speed cased	38	3	70rpm	230vAC	3mm Norprene®
201.070.230.050CM	Variable speed cased	76	3	70rpm	230vAC	5mm Norprene®
201.140.230.016CM	Variable speed cased	28	3	140rpm	230vAC	1.6mm Norprene®
201.140.230.030CM	Variable speed cased	76	3	140rpm	230vAC	3mm Norprene®
201F.140.230.050CM	Variable speed cased	151	3	140rpm	230vAC	5mm Food sant
202.070.024.016CM	Variable speed cased	11	3	70rpm	24vDC	1.6mm Viton®
202.070.024.030CM	Variable speed cased	32	3	70rpm	24vDC	3mm Viton®
202.070.024.050CM	Variable speed cased	63	3	70rpm	24vDC	5mm Viton®
202.140.024.030CM	Variable speed cased	63	3	140rpm	24vDC	3mm Viton®
202.070.230.016CM	Variable speed cased	11	3	70rpm	230vAC	1.6mm Viton®
202.070.230.030CM	Variable speed cased	32	3	70rpm	230vAC	3mm Viton®
202.070.230.050CM	Variable speed cased	63	3	70rpm	230vAC	5mm Viton®
202.140.230.030CM	Variable speed cased	63	3	140rpm	230vAC	3mm Viton®
200CM-Inst-kit	Std installation kit	n/a	n/a	n/a	n/a	4mmID n/a
ETINJVALVE-2144009	Injection Valve	n/a	n/a	n/a	n/a	4mmID Viton®

Williamson Manufacturing Company Ltd

Unit 5, Lady Bee Industrial Estate, Albion Street, Southwick, West Sussex, BN42 4EP, UK.
Tel +44(0)1273 857752 E Mail:- sales@williamsonpumps.co.uk Web www.wmcpumps.com