

200 SERIES with DC powered motor

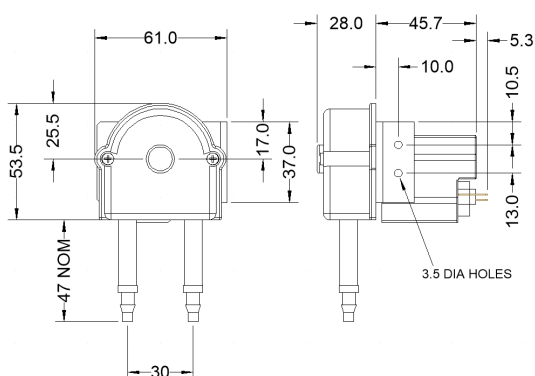
- Compact
- Low Cost
- Multiple Speed Options
- Various Tube Materials/Sizes
- 2,3,4 or 6 Rollers
- Integral Tube Grips



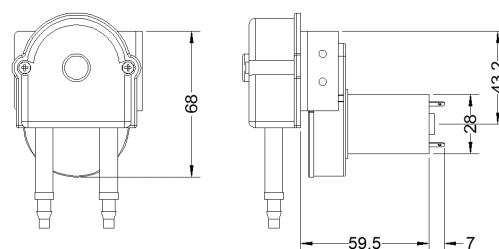
The 200 series, range of peristaltic pumps offer a low cost, compact & reliable means of dosing a wide range of liquids. They are available in various configurations of tubing type & size giving flow rates of between 0.1 & 1.32 ml/rev. The pump head is designed to be disposable but is assembled using a single screw enabling dis-assembly & re-assembly for tube changing if required.

DIMENSIONS (mm)

Variants covered by this drawing are:
5, 18, 35 and 70 RPM brushed dc.



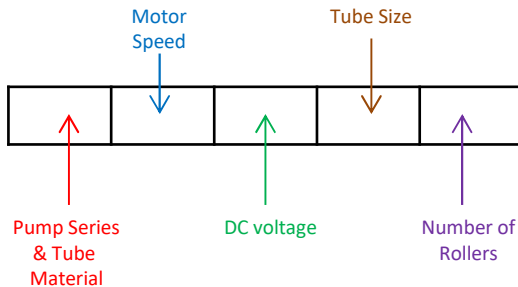
Variants covered by this drawing are:
120, 150, 220 & 330 RPM brushed dc.



Williamson Manufacturing Co Ltd
Unit 5, Lady Bee Industrial Estate
Albion Street
Southwick
West Sussex BN42 4EP
UK
Email: sales@wmc pumps.com

200 SERIES with DC powered motor

Devise your product code by using codes from the table on the right where stated below.



202-035-024-016/4

Example product code for 200 series pump head fitted with Viton® tubing, 35 RPM, 24v DC, 1.6mm ID tubing & 4 rollers

Motor current:

For Speeds 120 rpm & above – 400mA.
For Speeds 18, 35 & 70 rpm – 6v DC 300mA. 12v DC 170mA
18v DC 115mA. 24v DC 95mA
For 5 rpm – 60mA.

	Product code
Pump series and tube material	
Silicone (Peroxide Cured)	200
Tygon® A60F Norprene	201
Viton®	202
Tygon Chemical® Norprene (3mm & 5mm only)	207
Speed rpm	
5 (available in 12 & 24v DC only)	-005
18 (available in 6 & 12v DC only)	-018
35	-035
70 (available with 2 & 3 rollers only)	-070
120 (available in 24v Dc only)	-120
150 (available in 12v DC only)	-150
220 (available in 24v DC only)	-220
330 (available in 12v DC only)	-330
DC Voltage	
6	-006
12	-012
18	-018
24	-024
Tube Size (bore) mm	
1.6	-016
3.0	-030
3.0	-050
Number of rollers	
2	/2
3 (Supplied as standard)	/3
4	/4
6	/6

Materials of construction

Body & Back Plate	Rotor	Rollers	Bracket
SAN	POM	PA66	Zintec (Treated Steel)

Flow Rates ml per revolution

Flow rates based on silicone tubing. Flow rates for Tygon A60F® will be approx. 10% less, Tygon Chemical® & Viton® will be 20-25% less.

No of Rollers	1.6 ID tube	3.0 ID tube	5.0 ID tube
2	0.22	0.64	1.32
3	0.20	0.59	1.18
4	0.17	0.5	0.94
6	0.14	0.32	0.6

Flow rates for guidance only and subject to tube tolerance, tube age, fluid viscosity & back pressure.

Williamson Manufacturing Co Ltd
Unit 5, Lady Bee Industrial Estate
Albion Street
Southwick
West Sussex BN42 4EP
UK
Email: sales@wmc pumps.com