

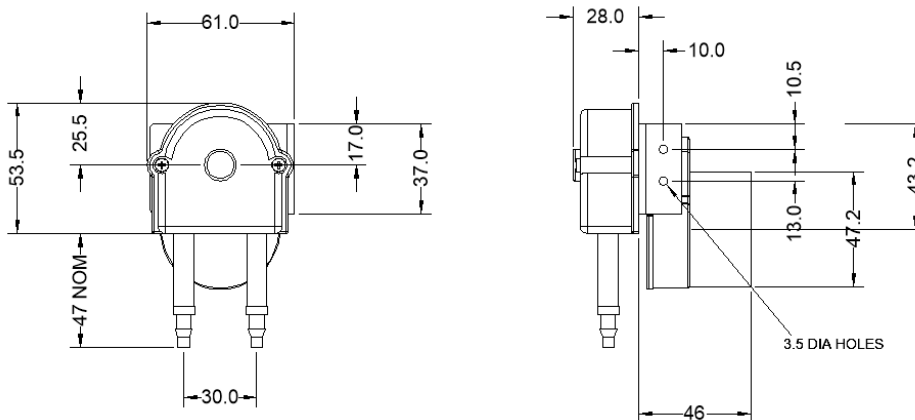
200 SERIES with AC powered motor

- Compact
- Low Cost
- Multiple Speed Options
- Various Tube Materials/Sizes
- 2,3,4 or 6 Rollers
- Integral Tube Grips



The 200 series, range of peristaltic pumps offer a low cost, compact & reliable means of dosing a wide range of liquids. They are available in various configurations of tubing type & size giving flow rates of between 0.1 & 1.32 ml/rev. The pump head is designed to be disposable but is assembled using a single screw enabling dis-assembly & re-assembly for tube changing if required.

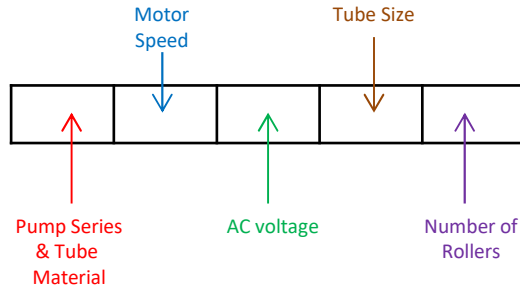
DIMENSIONS (mm)



Williamson Manufacturing Co Ltd
Unit 5, Lady Bee Industrial Estate
Albion Street
Southwick
West Sussex BN42 4EP
UK
Email: sales@wmc pumps.com

200 SERIES with AC powered motor

Devise your product code by using codes from the table on the right where stated below.



202-030-230-016/3

Example product code for 200 series pump head fitted with Viton® tubing , 30 RPM, 230v AC, motor, 1.6mm ID tubing & 3 rollers

Motor specifications:
50/60Hz 5w. Dielectric strength 2000v AC 1 sec.
Insulation Class E. Reliability 5×10^6 Starts(min)

| | Product Code |
|--|--------------|
| Pump Series and Tube Material | |
| Silicone | 200 |
| Tygon® A60F Norprene | 201 |
| Viton® | 202 |
| Tygon Chemical® Norprene (3mm & 5mm tube sizes only) | 207 |
| Motor Speed RPM (based on 50Hz) | |
| 8 | -008 |
| 15 | -015 |
| 30 | -030 |
| AC Voltage | |
| 115v (minimum order quantity of 48 units) | -115 |
| 230v | -230 |
| Tube Size (bore) mm | |
| 1.6 | -016 |
| 3.0 | -030 |
| 5.0 | -050 |
| Number of rollers | |
| 2 | /2 |
| 3 (Supplied as standard) | /3 |
| 4 (Silicone tubing only) | /4 |
| 6 (silicone tubing only) | /6 |

Materials of construction

| Body & Back Plate | Rotor | Rollers | Bracket |
|-------------------|-------|---------|------------------------|
| SAN | POM | PA66 | Zintec (Treated Steel) |

Flow Rates ml per revolution

Flow rates based on silicone tubing. Flow rates for Tygon A60F® will be approx. 10% less, Tygon Chemical® & Viton® will be 20-25% less.

| No of Rollers | 1.6 ID tube | 3.0 ID tube | 5.0 ID tube |
|---------------|-------------|-------------|-------------|
| 2 | 0.22 | 0.64 | 1.32 |
| 3 | 0.20 | 0.59 | 1.18 |
| 4 | 0.17 | 0.5 | 0.94 |
| 6 | 0.14 | 0.32 | 0.6 |

Flow rates for guidance only and subject to tube tolerance, tube age, fluid viscosity & back pressure.

Williamson Manufacturing Co Ltd
Unit 5, Lady Bee Industrial Estate
Albion Street
Southwick
West Sussex BN42 4EP
UK
Email: sales@wmc pumps.com