

### 810 series DC powered Pumps

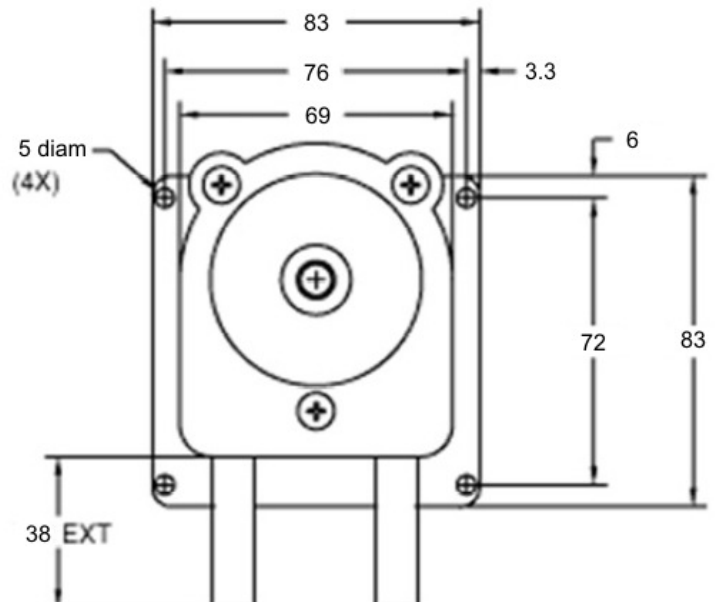
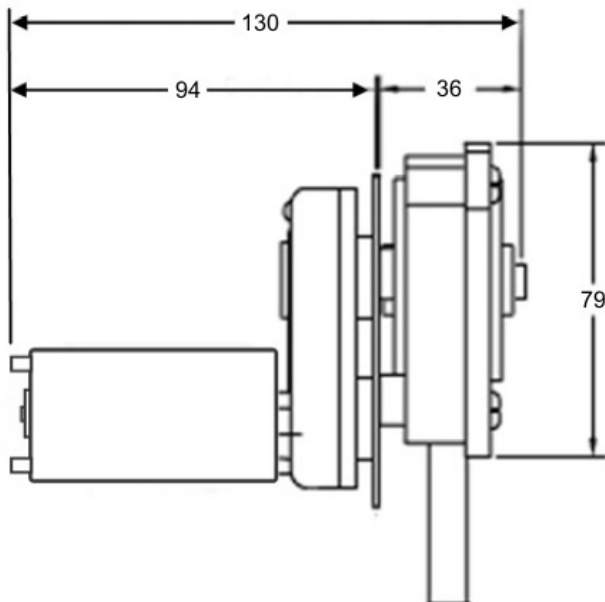
Drawing, for full details please see appropriate specification sheet (last updated May 2019)



The ever popular WPL 810 series peristaltic pumps are available in 12 & 24v DC motor options with 4.8 or 6.4 tube size, 55 food sant or silicone tubing delivering flow rates as high as 987 ml/min. They are self priming up to 29 ft. (8.8m), can be run dry continuously, and are non-siphoning.

With peristaltic pumps the material to be pumped only comes in contact with the tubing. This is ideal for applications where the product to be moved or pumped should not touch any foreign materials e.g. when dispensing slurries, food products, chemicals, or other difficult to handle fluids. The 810 peristaltic pumps can handle a wide variety of viscosities, from air and gases to heavy slurries, with a consistent positive displacement. It is available in 2 roller (powdered iron with nylon rollers and bronze bearings) or 3 roller (plated steel, stainless steel pinions, nylon rollers) assemblies. These attach directly to the motor output shaft, delivering a precise amount of the product with each revolution.

The easiest way to place an order or check prices is via our online shop at <http://www.williamson-shop.co.uk> but please contact us for any requirements not listed or to place an order over the phone.



All Dimensions in mm

## Williamson Manufacturing Company Ltd

Unit 5, Lady Bee Industrial Estate, Albion Street, Southwick, West Sussex, BN42 4EP, UK.  
 Tel +44(0)1273 857752 E Mail:- [sales@williamsonpumps.co.uk](mailto:sales@williamsonpumps.co.uk) Web [www.wmcpumps.com](http://www.wmcpumps.com)