

AUGUST2017



- Hinged lid for easy tube replacement
- No tube lubrication required
- DC gear motor for speed control

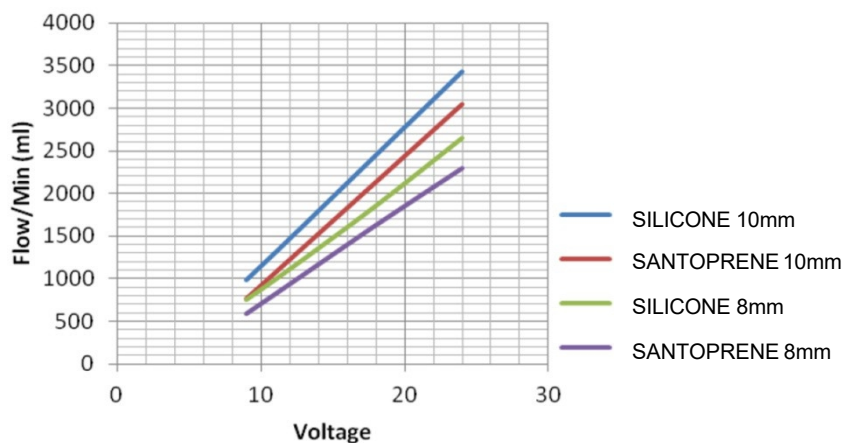
Pump is not supplied with barbed connectors shown

The 4000 is a high performance and versatile peristaltic pump. The hinged lid forms an integral part of the pump construction, and releasing the lid catch facilitates tubing replacement. The lid can also be removed completely for tube replacement in confined spaces.

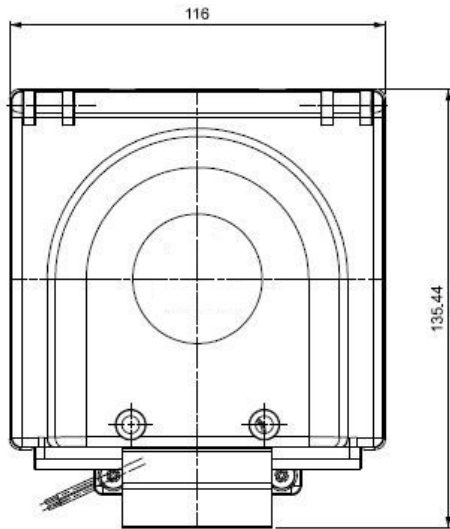
Options available for this unit include a choice of tube material and size, motor speed and voltage and tub connectors.

General Specification:

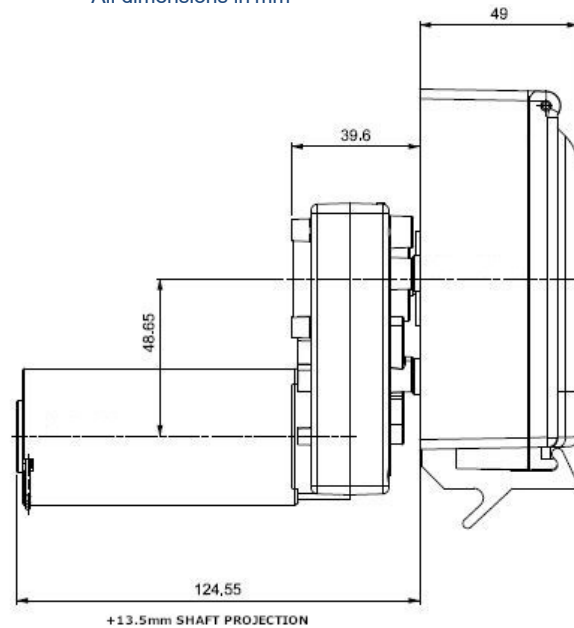
Motor – Permanent magnet with spur gearbox 12v or 24v DC
 Running current – 1.6-2A (based on 10mm Santoprene at 24v DC)
 Pump body – Glass filled polypropylene
 Rotor – PPS Ryton®
 Rollers – Nylatron®
 Lid – Polycarbonate
 Weight – 1.2 Kg
 Tube options – Silicone (2.4mm Wall) or Santoprene® (2.4mm Wall)



Dimensions



All dimensions in mm



Ordering options

Tube material	Speed	Tube size
↓	↓	↓
4000	150 - 012	100

4000-150-012-100

This product code relates to a 10mm Silicone tube pump with a 150 rpm 12v DC motor.

Acetal barbed connectors available:-

1. Straight connectors: 8mm (part no. GS8) & 10mm (GS10)
2. Reducing connectors: 8mm/6mm (GRS8-6), 10mm/8mm (GRS10-8), 12mm/10mm (GRS12-10)

Options	Product code
Tube material	
- Silicone	4000
- Santoprene	4001
Speed	
- 150 rpm – 12vDC	150-012
- 300 rpm – 24vDC	300-024
Tube size	
- 10mm	100
- 8mm	080

The Williamson Manufacturing Company Ltd provides no warranty on usage of pumps. We recommend that life tests be carried out prior to use. This information is given in good faith and believed to be correct and current at time of publishing. The Williamson Manufacturing Company Ltd cannot accept responsibility for its inaccuracy or any errors or omissions contained herein. Copyright The Williamson Manufacturing Company Ltd 2008.

WILLIAMSON MANUFACTURING CO LTD
UNIT 5, LADY BEE INDUSTRIAL ESTATE
ALBION STREET
SOUTHWICK
WEST SUSSEX BN42 4EP UK.
Email: sales@williamsonpumps.co.uk