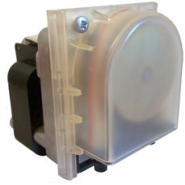


300 series

Specification Sheet 1 (last updated May 2019)



The 300 series range of peristaltic pumps has been designed to offer a low cost means of dosing a wide range of liquids. As with all peristaltic pumps they have excellent suction performance, are self priming up to 5 metres from dry and capable of pumping up to 15 m head pressure. Peristaltic pumps offer a good level of accuracy and repeatability and as only the tube contacts the pumped media (apart from standard pump where the Nylon inlet/outlet moulding also contacts pumped media), they are corrosion resistant, easy to clean, extremely reliable and inexpensive to maintain.

Additionally the 300 series of pumps offer extremely long tube life because of their low friction needle bearing rollers and unique tube centering roller cage. Coupled to this the motor gearboxes are built with ball bearings throughout which also offers exceptional longevity. A special chemical resistant version (PP after part no) is also available that uses polypropylene tube fittings.

The 300 series is available as a pumphead only for use with customers own motors. A 6mm flatted shaft is required and a drawing can be provided if required, on request. Alternatively there is a range of AC motors which offers a constant fixed flow or DC models which offer a huge flow adjustment from 0.15 RPM up to 150RPM. In addition the AC models can be purchased in a ventilated case.

Model No	Series	ml/rev	Tube id	Tube Material
PUMP HEADS				
300.PH.050	300 series pump head only	2.2	5 mm	silicone
300.PH.060	300 series pump head only	3.2	6 mm	silicone
301.PH.050	301 series pump head only	2	5 mm	santoprene
301.PH.060	301 series pump head only	3	6 mm	santoprene
302.PH.050	302 series pump head only	1.8	5 mm	viton
302.PH.060	302 series pump head only	2.5	6 mm	viton
300.PH.030.PP	300 series pump head only	1.1	3 mm	silicone
300.PH.050.PP	300 series pump head only	2.2	5 mm	silicone
300.PH.060.PP	300 series pump head only	3.2	6 mm	silicone
301.PH.030.PP	301 series pump head only	1	3 mm	santoprene
301.PH.050.PP	301 series pump head only	2	5 mm	santoprene
301.PH.060.PP	301 series pump head only	3	6 mm	santoprene
302.PH.030.PP	302 series pump head only	0.8	3 mm	viton
302.PH.050.PP	302 series pump head only	1.8	5 mm	viton
302.PH.060.PP	302 series pump head only	2.4	6 mm	viton

PUMP ASSEMBLIES - AC	Series	ml/minute	RPM	Voltage	Tube ID	Tube Material
300.050.230.050	300 series pump	100	50	230vAC	5 mm	silicone
300.050.230.060	300 series pump	160	50	230vAC	6 mm	silicone
300.050.115.050	300 series pump	100	50	115vAC	5 mm	silicone
300.050.115.060	300 series pump	160	50	115vAC	6 mm	silicone
300.080.230.050	300 series pump	160	80	230vAC	5 mm	silicone
300.080.230.060	300 series pump	256	80	230vAC	6 mm	silicone
300.080.115.050	300 series pump	160	80	115vAC	5 mm	silicone
300.080.115.060	300 series pump	256	80	115vAC	6 mm	silicone
301.050.230.050	301 series pump	100	50	230vAC	5 mm	santoprene
301.050.230.060	301 series pump	150	50	230vAC	6 mm	santoprene
301.050.115.050	301 series pump	100	50	115vAC	5 mm	santoprene

Williamson Manufacturing Company Ltd

Unit 5, Lady Bee Industrial Estate, Albion Street, Southwick, West Sussex, BN42 4EP, UK.
Tel +44(0)1273 857752 E Mail:- sales@williamsonpumps.co.uk Web www.wmcpumps.com

PUMP ASSEMBLIES - AC	Series	ml/minute	RPM	Voltage	Tube ID	Tube Material
301.050.115.060	301 series pump	150	50	115vAC	6 mm	santoprene
301.080.230.050	301 series pump	160	80	230vAC	5 mm	santoprene
301.080.230.060	301 series pump	240	80	230vAC	6 mm	santoprene
301.080.115.050	301 series pump	160	80	115vAC	5 mm	santoprene
301.080.115.060	301 series pump	240	80	115vAC	6 mm	santoprene

302.050.230.050	302 series pump	90	50	230vAC	5 mm	viton
302.050.230.060	302 series pump	120	50	230vAC	6 mm	viton
302.050.115.050	302 series pump	90	50	115vAC	5 mm	viton
302.050.115.060	302 series pump	120	50	115vAC	6 mm	viton
302.080.230.050	302 series pump	144	80	230vAC	5 mm	viton
302.080.230.060	302 series pump	192	80	230vAC	6 mm	viton
302.080.115.050	302 series pump	144	80	115vAC	5 mm	viton
302.080.115.060	302 series pump	192	80	115vAC	6 mm	viton

PP - PUMP ASSEMBLIES - AC	Series	ml/minute	RPM	Voltage	Tube ID	Tube Material
300.050.230.030.PP	300 series pump	55	50	230vAC	3 mm	silicone
300.050.230.050.PP	300 series pump	110	50	230vAC	5 mm	silicone
300.050.230.060.PP	300 series pump	160	50	230vAC	6 mm	silicone
300.050.115.030.PP	300 series pump	55	50	115vAC	3 mm	silicone
300.050.115.050.PP	300 series pump	110	50	115vAC	5 mm	silicone
300.050.115.060.PP	300 series pump	160	50	115vAC	6 mm	silicone
300.080.230.030.PP	300 series pump	88	80	230vAC	3 mm	silicone
300.080.230.050.PP	300 series pump	176	80	230vAC	5 mm	silicone
300.080.230.060.PP	300 series pump	256	80	230vAC	6 mm	silicone
300.080.115.030.PP	300 series pump	88	80	115vAC	3 mm	silicone
300.080.115.050.PP	300 series pump	176	80	115vAC	5 mm	silicone
300.080.115.060.PP	300 series pump	256	80	115vAC	6 mm	silicone
301.050.230.030.PP	301 series pump	50	50	230vAC	3 mm	santoprene
301.050.230.050.PP	301 series pump	100	50	230vAC	5 mm	santoprene
301.050.230.060.PP	301 series pump	150	50	230vAC	6 mm	santoprene
301.050.115.030.PP	301 series pump	50	50	115vAC	3 mm	santoprene
301.050.115.050.PP	301 series pump	100	50	115vAC	5 mm	santoprene
301.050.115.060.PP	301 series pump	150	50	115vAC	6 mm	santoprene
301.080.230.030.PP	301 series pump	80	80	230vAC	3 mm	santoprene
301.080.230.050.PP	301 series pump	160	80	230vAC	5 mm	santoprene
301.080.230.060.PP	301 series pump	240	80	230vAC	6 mm	santoprene
301.080.115.030.PP	301 series pump	80	80	115vAC	3 mm	santoprene
301.080.115.050.PP	301 series pump	160	80	115vAC	5 mm	santoprene
301.080.115.060.PP	301 series pump	240	80	115vAC	6 mm	santoprene
302.050.230.030.PP	302 series pump	40	50	230vAC	3 mm	viton
302.050.230.050.PP	302 series pump	90	50	230vAC	5 mm	viton
302.050.230.060.PP	302 series pump	120	50	230vAC	6 mm	viton
302.050.115.030.PP	302 series pump	40	50	115vAC	3 mm	viton
302.050.115.050.PP	302 series pump	90	50	115vAC	5 mm	viton
302.050.115.060.PP	302 series pump	120	50	115vAC	6 mm	viton
302.080.230.030.PP	302 series pump	64	80	230vAC	3 mm	viton
302.080.230.050.PP	302 series pump	120	80	230vAC	5 mm	viton
302.080.230.060.PP	302 series pump	192	80	230vAC	6 mm	viton

Williamson Manufacturing Company Ltd

Unit 5, Lady Bee Industrial Estate, Albion Street, Southwick, West Sussex, BN42 4EP, UK.

Tel +44(0)1273 857752 E Mail:- sales@williamsonpumps.co.uk Web www.wmcpumps.com

PP - PUMP ASSEMBLIES - AC	Series	ml/minute	RPM	Voltage	Tube ID	Tube Material
302.080.115.030.PP	302 series pump	64	80	115vAC	3 mm	viton
302.080.115.050.PP	302 series pump	144	80	115vAC	5 mm	viton
302.080.115.060.PP	302 series pump	192	80	115vAC	6 mm	viton

PUMP ASSEMBLIES - DC	Series	ml/minute	RPM	Voltage	Tube ID	Tube Material
300.SMA.150.050	300 series pump	330	150	24 - 30VDC	5mm	silicone
300.SMA.150.060	300 series pump	480	150	24 - 30VDC	6mm	silicone
301.SMA.150.050	301 series pump	300	150	24 - 30VDC	5mm	santoprene
301.SMA.150.060	301 series pump	450	150	24 - 30VDC	6mm	santoprene
302.SMA.150.050	302 series pump	270	150	24 - 30VDC	5mm	Viton
302.SMA.150.060	302 series pump	360	150	24 - 30VDC	6mm	Viton

PP - PUMP ASSEMBLIES - DC	Series	ml/minute	RPM	Voltage	Tube ID	Tube Material
300.SMA.150.050.PP	300 series pump	330	150	24 - 30VDC	5mm	silicone
301.SMA.150.050.PP	301 series pump	300	150	24 - 30VDC	5mm	santoprene
302.SMA.150.050.PP	302 series pump	270	150	24 - 30VDC	5mm	Viton

PUMP ASSEMBLIES - CASED	Series	ml/minute	RPM	Voltage	Tube ID	Tube Material
300C.050.230.050	300 series pump	100	50	230vAC	5 mm	silicone
300C.050.230.060	300 series pump	160	50	230vAC	6 mm	silicone
300C.050.115.050	300 series pump	100	50	115vAC	5 mm	silicone
300C.050.115.060	300 series pump	160	50	115vAC	6 mm	silicone
301C.050.230.050	301 series pump	100	50	230vAC	5 mm	santoprene
301C.050.230.060	301 series pump	150	50	230vAC	6 mm	santoprene
301C.050.115.050	301 series pump	100	50	115vAC	5 mm	santoprene
301C.050.115.060	301 series pump	150	50	115vAC	6 mm	santoprene
302C.050.230.050	302 series pump	90	50	230vAC	5 mm	viton
302C.050.230.060	302 series pump	120	50	230vAC	6 mm	viton
302C.050.115.050	302 series pump	90	50	115vAC	5 mm	viton
302C.050.115.060	302 series pump	120	50	115vAC	6 mm	viton

PP-PUMP ASSEMBLIES-CASED	Series	ml/minute	RPM	Voltage	Tube ID	Tube Material
300C.050.230.030.PP	300 series pump	55	50	230vAC	3 mm	silicone
300C.050.230.050.PP	300 series pump	110	50	230vAC	5 mm	silicone
300C.050.230.060.PP	300 series pump	160	50	230vAC	6 mm	silicone
300C.050.115.030.PP	300 series pump	55	50	115vAC	3 mm	silicone
300C.050.115.050.PP	300 series pump	110	50	115vAC	5 mm	silicone
300C.050.115.060.PP	300 series pump	160	50	115vAC	6 mm	silicone
301C.050.230.030.PP	301 series pump	50	50	230vAC	3 mm	santoprene
301C.050.230.050.PP	301 series pump	100	50	230vAC	5 mm	santoprene
301C.050.230.060.PP	301 series pump	150	50	230vAC	6 mm	santoprene
301C.050.115.030.PP	301 series pump	50	50	115vAC	3 mm	santoprene
301C.050.115.050.PP	301 series pump	100	50	115vAC	5 mm	santoprene
301C.050.115.060.PP	301 series pump	150	50	115vAC	6 mm	santoprene
302C.050.230.030.PP	302 series pump	40	50	230vAC	3 mm	viton
302C.050.230.050.PP	302 series pump	90	50	230vAC	5 mm	viton
302C.050.230.060.PP	302 series pump	120	50	230vAC	6 mm	viton
302C.050.115.030.PP	302 series pump	40	50	115vAC	3 mm	viton
302C.050.115.050.PP	302 series pump	90	50	115vAC	5 mm	viton
302C.050.115.060.PP	302 series pump	120	50	115vAC	6 mm	viton

Williamson Manufacturing Company Ltd

Unit 5, Lady Bee Industrial Estate, Albion Street, Southwick, West Sussex, BN42 4EP, UK.
Tel +44(0)1273 857752 E Mail:- sales@williamsonpumps.co.uk Web www.wmcpumps.com

SPARE TUBES	Series	Quantity	Tube ID	Tube Material
300.TUBE.030/1M	For use on PP models only	Per metre	3mm	Silicone
300.TUBE.050/1M		Per metre	5mm	Silicone
300.TUBE.060/1M		Per metre	6mm	Silicone
301.TUBE.030/1M	For use on PP models only	Per metre	3mm	Santoprene
301.TUBE.050/1M		Per metre	5mm	Santoprene
301.TUBE.060/1M		Per metre	6mm	Santoprene
302.TUBE.030/1M	For use on PP models only	Per metre	3mm	Viton
302.TUBE.050/1M		Per metre	5mm	Viton
302.TUBE.060/1M		Per metre	6mm	Viton
SPARE TUBE ASEMBLIES	Series	Quantity	Tube ID	Tube Material
300.TUBE.050.ASSY	300 series	1	5mm	Silicone
300.TUBE.060.ASSY	300 series	1	6mm	Silicone
301.TUBE.050.ASSY	301 series	1	5mm	Santoprene
301.TUBE.060.ASSY	301 series	1	6mm	Santoprene
302.TUBE.050.ASSY	302 series	1	5mm	Viton
302.TUBE.060.ASSY	302 series	1	6mm	Viton
PP - SPARE TUBE ASEMBLIES	Series	Quantity	Tube ID	Tube Material
300.TUBE.030.PP	300 series	1	3mm	Silicone
300.TUBE.050.PP	300 series	1	5mm	Silicone
300.TUBE.060.PP	300 series	1	6mm	Silicone
301.TUBE.030.PP	301 series	1	3mm	Santoprene
301.TUBE.050.PP	301 series	1	5mm	Santoprene
301.TUBE.060.PP	301 series	1	6mm	Santoprene
302.TUBE.030.PP	302 series	1	3mm	Viton
302.TUBE.050.PP	302 series	1	5mm	Viton
302.TUBE.060.PP	302 series	1	6mm	Viton

Notes:-

Cased units are supplied as standard with 2 metre power cord (3 core) with bared ends.
 Cased units are not fitted with an ON/OFF switch as standard, but one can be specified at extra cost.
 All cased units are fixed output
 DC models are variable speed via a potentiometer on the back of the motor, Minimum 0.15RPM.
 For volume applications three, four and six roller versions can be supplied.
 DC models can be supplied on request. Please contact us for details.
 Many other tube materials are available on request. Please contact us for details.

The easiest way to place an order or check prices is via our online shop at <http://www.williamson-shop.co.uk> but please contact us for any requirements not listed.

Williamson Manufacturing Company Ltd

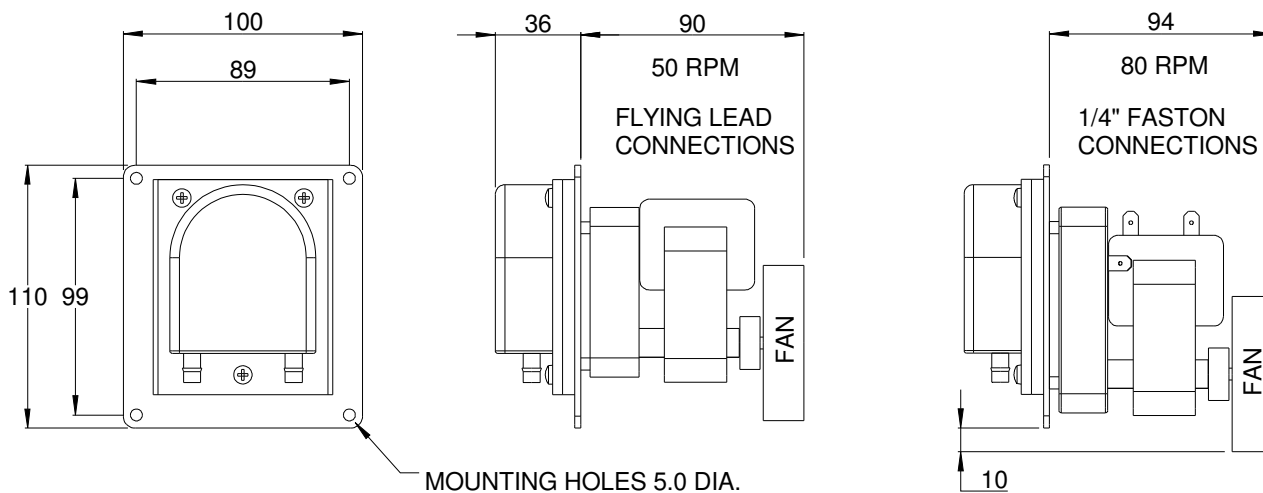
Unit 5, Lady Bee Industrial Estate, Albion Street, Southwick, West Sussex, BN42 4EP, UK.
 Tel +44(0)1273 857752 E Mail:- sales@williamsonpumps.co.uk Web www.wmcpumps.com

300 series

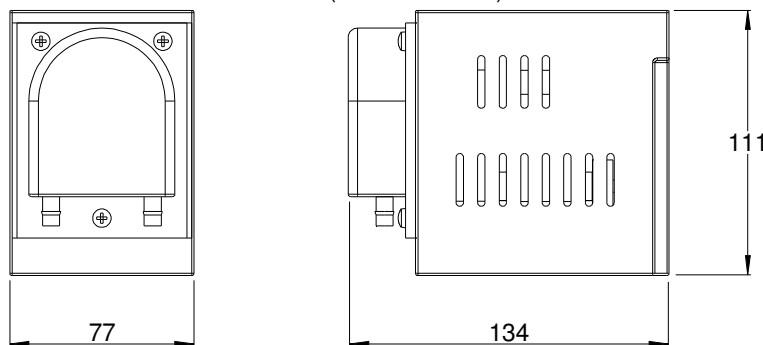
Materials of Construction:-

- Pump body - Polypropylene
- Pump lid - Polypropylene
- Roller assembly - rotor plated aluminium
- Needle bearings - stainless steel
- Inlet/Outlet moulding - Nylon
- Fixing screws - plated steel
- Bracket (if supplied) - Zintec
- PP versions - connectors - polypropylene
- Cased versions - case 10% glass filled Polycarbonate

Dimensions:-



CASED UNIT (50 RPM ONLY)



Williamson Manufacturing Company Ltd

Unit 5, Lady Bee Industrial Estate, Albion Street, Southwick, West Sussex, BN42 4EP, UK.
 Tel +44(0)1273 857752 E Mail:- sales@williamsonpumps.co.uk Web www.wmcpumps.com