

## 250 Series with DC Motor

Specification sheet 2015

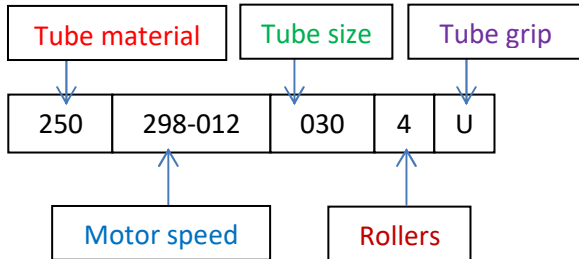


- **Clamshell design**
- **Clip-on pump head**
- **4 or 6 roller options**
- **Anti-tamper locking screw**
- **No lubrication**
- **Adjustable tube clips**
- **Self-priming**

The 250 series with DC motor is a self-priming peristaltic pump.

### **Williamson Manufacturing Company Ltd**

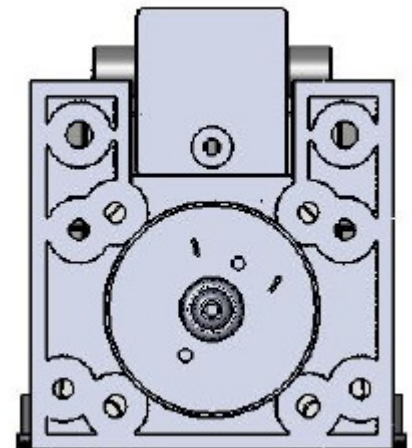
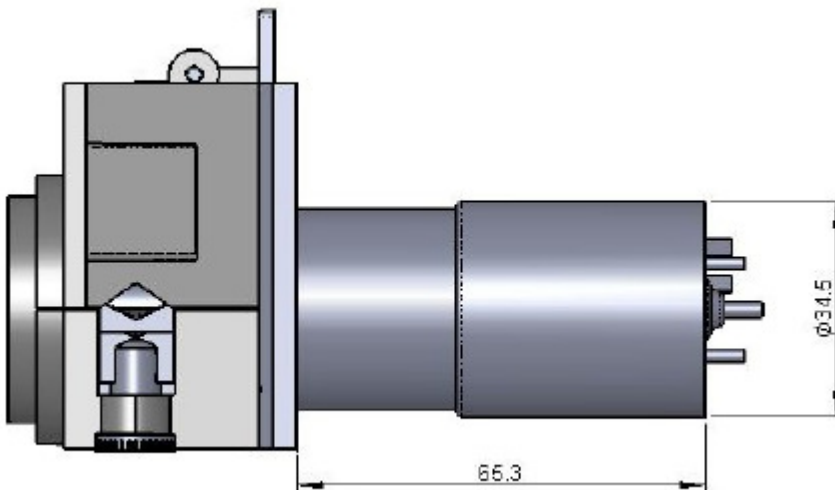
Unit 5, Lady Bee Industrial Estate, Albion Street, Southwick, West Sussex, BN42 4EP, UK.  
Tel +44(0)1273 857752 E Mail:- sales@williamsonpumps.co.uk Web www.wmcpumps.com



250-298-012-030/4U

This example product code relates to a Silicone 3mm tube, 298rpm 12v motor, with 4 rollers and universal tube clamps.

Tube material	Product code
- Silicone	250
- Norprene	251
- Norprene chemical	207
- Viton	252
<b>Motor Speed</b>	
- 298rpm 12v DC	298-012
- 420rpm 12v DC	420-012
- 298rpm 24v DC	298-024
- 420rpm 24v DC	420-024
<b>Tube size (mm)</b>	
- 1.6	016
- 3	030
- 5	050
<b>Number of rollers</b>	
- 4	/4
- 6	/6
<b>Tube grip</b>	
- Universal clamp	U
- Dedicated tube grip	D



## Williamson Manufacturing Company Ltd

Unit 5, Lady Bee Industrial Estate, Albion Street, Southwick, West Sussex, BN42 4EP, UK.  
 Tel +44(0)1273 857752 E Mail:- sales@williamsonpumps.co.uk Web www.wmcpumps.com