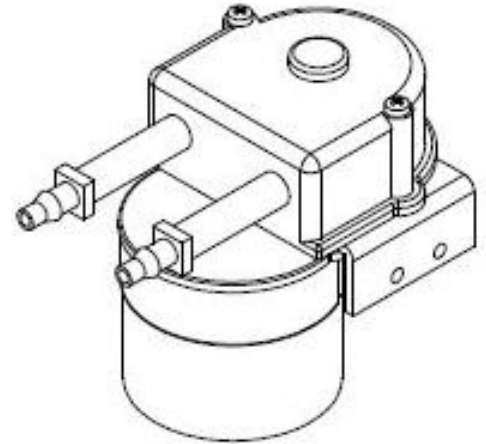


200 series AC powered Pumps.

Drawing sheet AC Motors of 3, 8, 15, & 30 rpm (last updated May 2019)



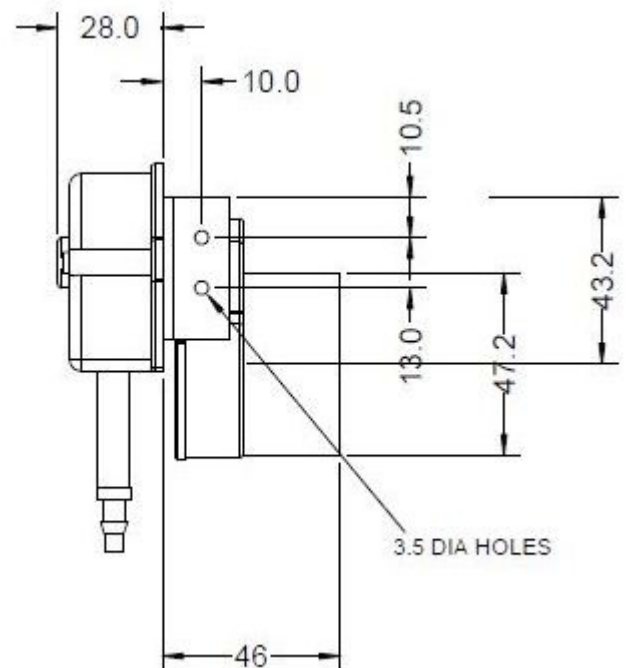
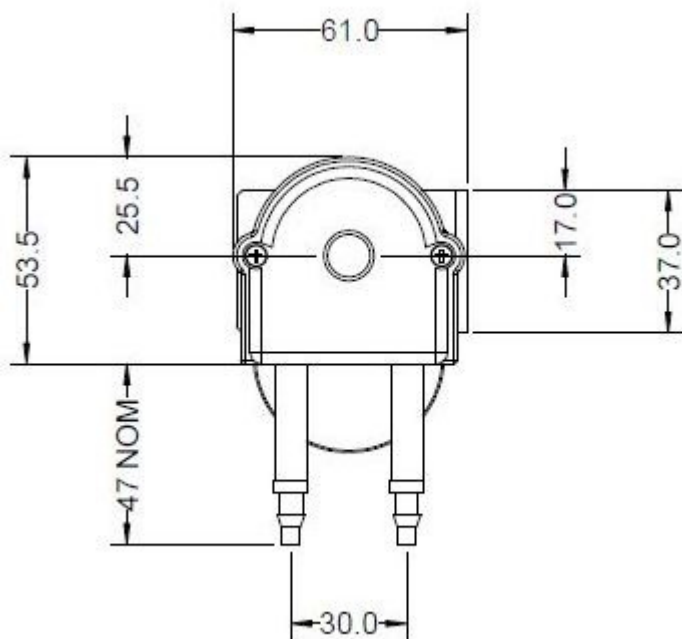
The mini range of peristaltic pumps has been designed to offer the OEM a low cost compact and reliable means of dosing a wide range of liquids. As with all peristaltic pumps they have excellent suction performance, self priming up to 5 metres from dry and capable of pumping up to 10m head pressure. Peristaltic pumps offer a good level of accuracy and repeatability and as only the tube contacts the pumped media, they are corrosion resistant, easy to clean and inexpensive to maintain. Depending on tubing ID and motor voltage & RPM, the 200 series pump offers flow rates between 4ml/min-1 and 219ml/min-1.in. NB:- 3 RPM models special order.



The easiest way to place an order or check prices is via our online shop at <http://www.williamson-shop.co.uk> but please contact us for any requirements not listed or to place an order over the phone.

Please note the drawing on this sheet illustrates AC Motors of 3, 8, 15, & 30 rpm.

Important: These pumps are not suitable for use in wet areas/high humidity and should be fitted by a suitably qualified person. The standard version of this pump is supplied sealed so the tube cannot be changed. The pump has been designed so that when the pump head has worn out it is changed as a whole. We are able to supply pumpheads unsealed for customers that wish to change the tubing periodically. Please contact our office for details.



Williamson Manufacturing Company Ltd

Unit 5, Lady Bee Industrial Estate, Albion Street, Southwick, West Sussex, BN42 4EP, UK.

Tel +44(0)1273 857752 E Mail:- sales@williamsonpumps.co.uk Web www.wmcpumps.com