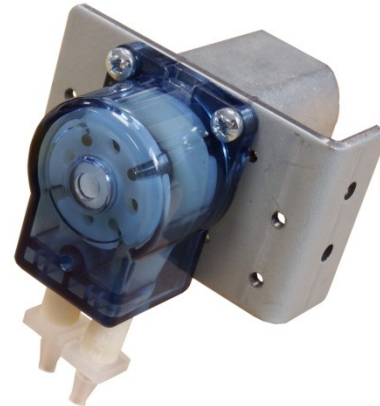


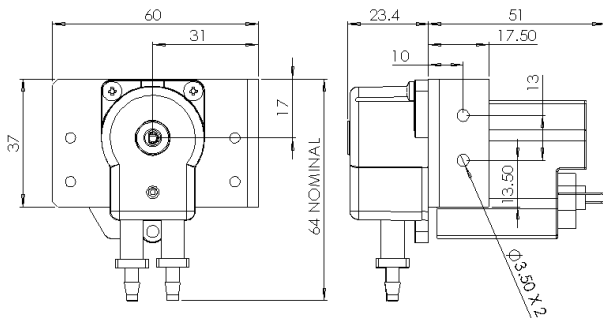
- Very Compact
- Low Cost
- Multiple Speed Options
- Various Tube Materials/Sizes
- 2 or 4 Rollers
- Integral Tube Grips



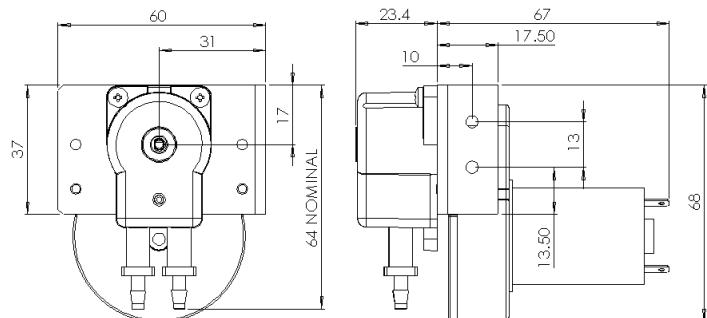
The 100 series, micro range of peristaltic pumps offer a low cost, compact & reliable means of dosing a wide range of liquids. They are available in various configurations of tubing type & size giving flow rates of between 0.016 & 0.26 ml/rev. The pump head is designed to be disposable but is assembled using a single screw enabling dis-assembly & re-assembly for tube changing if required.

## DIMENSIONS (mm)

Variants covered by this drawing are:  
5, 18, 35 and 70 RPM brushed dc.



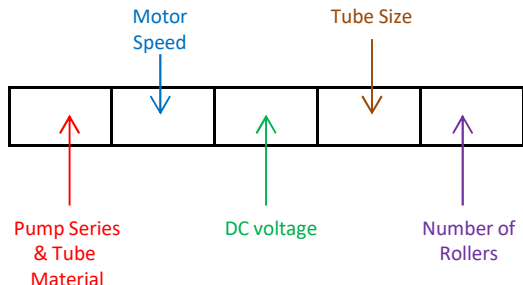
Variants covered by this drawing are:  
120, 150, 220 & 330 RPM brushed dc.



**Williamson Manufacturing Co Ltd**  
 Unit 5, Lady Bee Industrial Estate  
 Albion Street  
 Southwick  
 West Sussex BN42 4EP  
 UK  
 Email: [sales@wmc pumps.com](mailto:sales@wmc pumps.com)

# 100 SERIES with DC powered motor

Devise your product code by using codes from the table on the right where stated below.



102-035-024-016/4

Example product code for 100 series pump head fitted with Viton® tubing , 35 RPM, 24v DC, 1.6mm ID tubing & 4 rollers

Motor current:

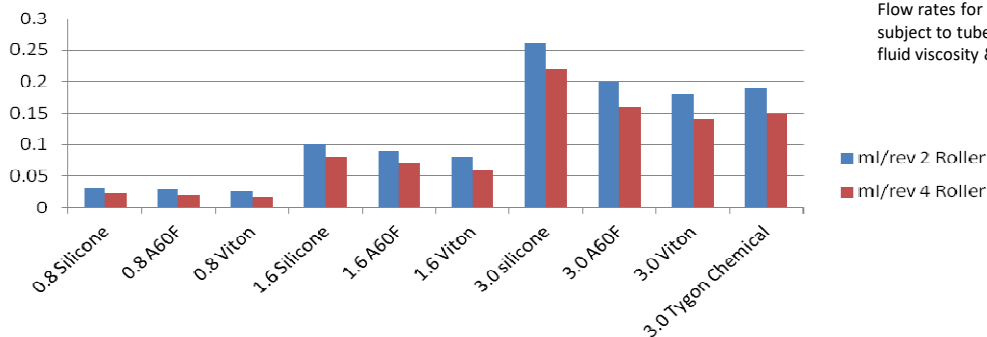
For Speeds 120 rpm & above – 400mA.  
 For Speeds 18, 35 & 70 rpm – 6v DC 300mA. 12v DC 170mA  
 18v DC 115mA. 24v DC 95mA  
 For 5 rpm – 60mA.

	Product code
<b>Pump series and tube material</b>	
Silicone	100
Tygon® A60F Norprene	101
Viton®	102
Tygon Chemical® Norprene (available in 3mm tube only)	107
<b>Speed rpm</b>	
5 (available in 12 & 24v DC only)	-005
18 (available in 6 & 12v DC only)	-018
35	-035
70	-070
120 (available in 24v Dc only)	-120
150 (available in 12v DC only)	-150
220 (available in 24v DC only)	-220
330 (available in 12v DC only)	-330
<b>DC Voltage</b>	
6	-006
12	-012
18	-018
24	-024
<b>Tube Size (bore) mm</b>	
0.8	-008
1.6	-016
3.0	-030
<b>Number of rollers</b>	
2	/2
4	/4

## Materials of construction

Body & Back Plate	Rotor	Rollers	Bracket
SAN	POM	Stainless Steel	Zintec

## Flow Rates ml per revolution



Flow rates for guidance only and subject to tube tolerance, tube age, fluid viscosity & back pressure.

**Williamson Manufacturing Co Ltd**  
 Unit 5, Lady Bee Industrial Estate  
 Albion Street  
 Southwick  
 West Sussex BN42 4EP  
 UK  
 Email: [sales@wmc pumps.com](mailto:sales@wmc pumps.com)