

## 200 SERIES with AC powered motor

- Compact
- Low Cost
- Multiple Speed Options
- Various Tube Materials/Sizes
- 2,3,4 or 6 Rollers
- Integral Tube Grips

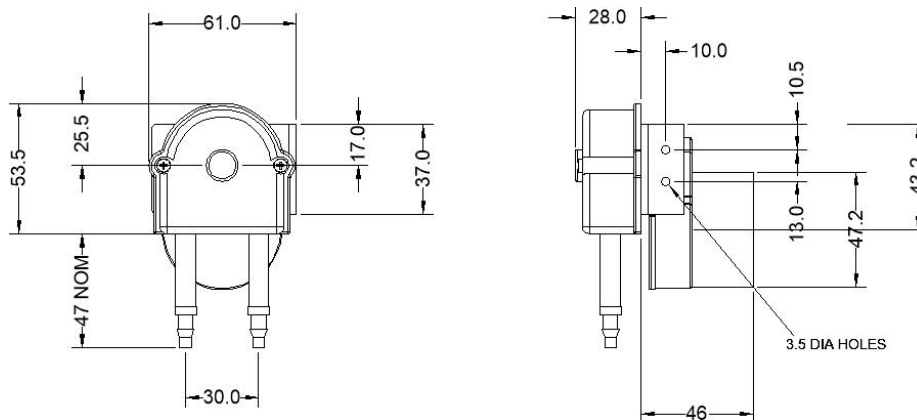


The 200 series, range of peristaltic pumps offer a low cost, compact & reliable means of dosing a wide range of liquids. They are available in various configurations of tubing type & size giving flow rates of between 0.1 & 1.32 ml/rev.

The pump head is designed to be disposable but is assembled using a single screw enabling dis-assembly & re-assembly for tube changing if required.

**Important: These pumps are not suitable for use in wet or high humidity areas and should be fitted by a suitably qualified person.**

### DIMENSIONS (mm)

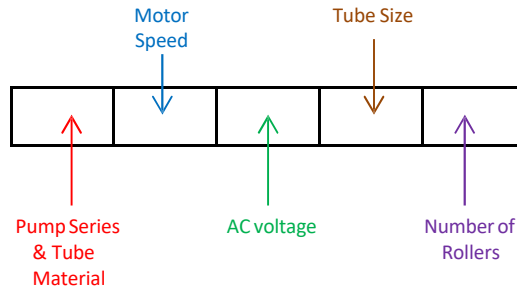


The Williamson Manufacturing Company Ltd provides no warranty on usage of pumps. We recommend that life tests be carried out prior to use. This information is given in good faith and believed to be correct at the time of publishing. The Williamson Manufacturing Company Ltd cannot accept responsibility for inaccuracy or any errors contained herein. Copyright the Williamson Manufacturing Company Ltd 2008.

**Williamson Manufacturing Co Ltd**  
**Unit 5, Lady Bee Industrial Estate**  
**Albion Street**  
**Southwick**  
**West Sussex BN42 4EP**  
**UK**  
Email: [sales@williamsonpumps.co.uk](mailto:sales@williamsonpumps.co.uk)

## 200 SERIES with AC powered motor

Devise your product code by using codes from the table on the right where stated below.



202-030-230-016/3

Example product code for 200 series pump head fitted with Viton® tubing, 30 RPM, 230v AC, motor, 1.6mm ID tubing & 3 rollers

Motor specifications:

50/60Hz 5w. Dielectric strength 2000v AC 1 sec.  
Insulation Class E. Reliability 5 x 10<sup>6</sup> Starts(min)

	Product Code
<b>Pump Series and Tube Material</b>	
Silicone	200
Tygon® A60F Norprene	201
Viton®	202
Tygon Chemical® Norprene (3mm & 5mm tube sizes only)	207
<b>Motor Speed RPM (based on 50Hz)</b>	
8	-008
15	-015
30	-030
<b>AC Voltage</b>	
115v (minimum order quantity of 48 units)	-115
230v	-230
<b>Tube Size (bore) mm</b>	
1.6	-016
3.0	-030
5.0	-050
<b>Number of rollers</b>	
2	/2
3 (Supplied as standard)	/3
4 (Silicone tubing only)	/4
6 (silicone tubing only)	/6

## Materials of construction

Body & Back Plate	Rotor	Rollers	Bracket
SAN	POM	PA66	Zintec (Treated Steel)

## Flow Rates ml per revolution

Flow rates based on silicone tubing. Flow rates for Tygon A60F® will be approx. 10% less, Tygon Chemical® & Viton® will be 20-25% less.

No of Rollers	1.6 ID tube	3.0 ID tube	5.0 ID tube
2	0.22	0.64	1.32
3	0.20	0.59	1.18
4	0.17	0.5	0.94
6	0.14	0.32	0.6

Flow rates for guidance only and subject to tube tolerance, tube age, fluid viscosity & back pressure.

The Williamson Manufacturing Company Ltd provides no warranty on usage of pumps. We recommend that life tests be carried out prior to use. This information is given in good faith and believed to be correct at the time of publishing. The Williamson Manufacturing Company Ltd cannot accept responsibility for inaccuracy or any errors contained herein. Copyright the Williamson Manufacturing Company Ltd 2008.

**Williamson Manufacturing Co Ltd**  
Unit 5, Lady Bee Industrial Estate  
Albion Street  
Southwick  
West Sussex BN42 4EP  
UK  
Email: [sales@williamsonpumps.co.uk](mailto:sales@williamsonpumps.co.uk)