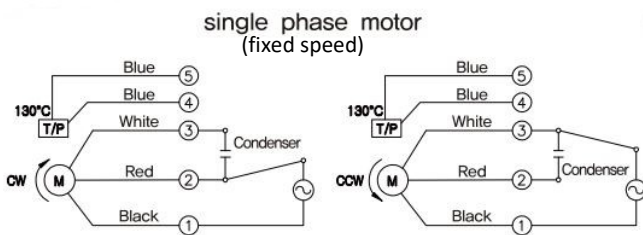


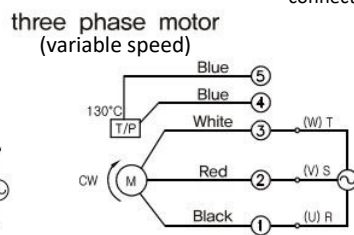
400 series induction motor wiring



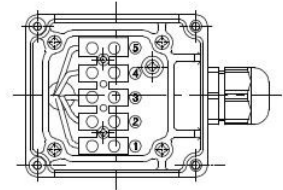
Note: All wiring to be carried out by qualified personnel and must adhere to the relevant wiring codes.



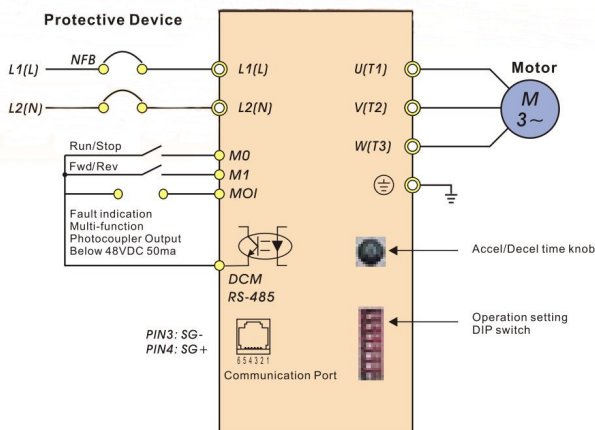
Depending on the gearbox ratio it may be necessary to change the direction of rotation to get the gearbox output shaft to drive the pump clockwise



On 3 phase motors swapping any 2 of the R, S, T connections will change the direction of rotation



The direction of motor rotation is as viewed from the front shaft end of the motor



Speed controller (inverter) Variable speed option only.

Basic inverter specifications:

Mains Voltage V	180 to 264
Mains Frequency Hz	47 to 63
Rated input current A	0.7
Output Frequency range Hz	0 to 120
Operating temperature °C	-10 to +40

The Williamson Manufacturing Company Ltd provides no warranty on usage of pumps. We recommend that life tests be carried out prior to use. This information is given in good faith and believed to be correct at the time of publishing. The Williamson Manufacturing Company Ltd cannot accept responsibility for inaccuracy or any errors contained herein. Copyright the Williamson Manufacturing Company Ltd 2008.

Williamson Manufacturing Co Ltd
Unit 5, Lady Bee Industrial Estate
Albion Street South wick
West Sussex
BN42 4EP UK
Email: sales@williamsonpumps.co.uk