

350VSL Cased Pump with Brushless DC Motor

- Flow rates from 1800 to 1 mL/min
- Smooth and accurate control with +/-2.0% speed regulation
- Reversible motor for bi-directional operation
- Separate power switch to maintain speed setting when powering unit on/off
- Remote start/stop capability
- Rapid loading pump head with automatic tubing retention
- Precision 4-roller system (stainless steel) for low pulsation & longer tube life
- Brushless DC motor for long life and maintenance-free use
- Internal power supply rating of 100-240VAC 50/60Hz
- Up to 25 psi working pressure

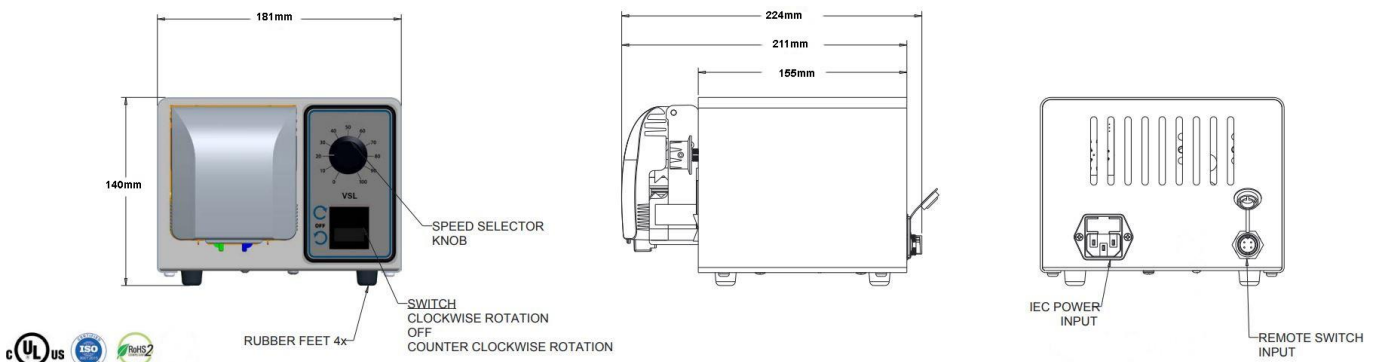


Description

The VSL is a powerful variable-speed pump, equipped with our rapid-loading 350 series pump head, and driven by a maintenance-free, brushless DC motor. With its broad flow range, smooth and accurate flow control, and remote start/stop capability, this unit is an excellent choice for life science and general laboratory applications.

The pump is available configured for either 1.6mm (1/16") or 2.4mm (3/32") wall tubing. Pump is supplied without tubing.

Dimensions



The Williamson Manufacturing Company Ltd provides no warranty on usage of pumps. We recommend that life tests be carried out prior to use. This information is given in good faith and believed to be correct at the time of publishing. The Williamson Manufacturing Company Ltd cannot accept responsibility for inaccuracy or any errors contained herein. Copyright the Williamson Manufacturing Company Ltd 2008.

Williamson Manufacturing Co Ltd
Unit 5, Lady Bee Industrial Estate
Albion Street
Southwick
West Sussex BN42 4EP UK
Email: sales@williamsonpumps.co.uk

350VSL Cased Pump with Brushless DC Motor

Specification

Pump Head	350 Series - 4 Roller
Control Type	Variable speed - Analogue
Speed Control	+/- 2.0 %
Directional Control	Bi-Directional
Motor Type	Brushless DC
Duty Cycle	Continuous
Tube Wall Thickness	1.6mm or 2.4mm
Maximum tube bore size	1.6mm wall = 8mm Bore 2.4mm wall = 6.4mm Bore
Operating voltage	100-240v 50-60Hz
Maximum working pressure	25 PSI
Compliance	UL778; FCC Part 15b Class A

Materials of Construction

Enclosure	Powder Coated Steel IP22
Pump Head	Polycarbonate & IXEF
Roller Material	SS
Rotor Material	SS
Ball Bearings	SS Sealed

Flow Rates mL/min

Speed Setting	Tube Bore Size					
	8mm*	6mm	5mm	3mm	1.6mm	0.8mm
Max	1860	1310	800	380	93	20
Min	95	66	40	20	5	1

Flow rates are for guidance only and will be effected by: Tube material, tolerances, age, back pressure & fluid viscosity.

* Limited to 1.6mm wall thickness tubing

Product codes

Standard unit part numbers:

350VSL-016 for 1.6mm WT tube.

350VSL-024 for 2.4mm WT tube.

Optional Footswitch with lead Part number: VSL-FS



The Williamson Manufacturing Company Ltd provides no warranty on usage of pumps. We recommend that life tests be carried out prior to use. This information is given in good faith and believed to be correct at the time of publishing. The Williamson Manufacturing Company Ltd cannot accept responsibility for inaccuracy or any errors contained herein. Copyright the Williamson Manufacturing Company Ltd 2008.

Williamson Manufacturing Co Ltd
Unit 5, Lady Bee Industrial Estate
Albion Street
Southwick
West Sussex BN42 4EP UK
Email: sales@williamsonpumps.co.uk