



- Long life, brushless motor
- Wide speed control range
- Suitable for continuous running
- Up to 800ml per minute flow

The 300 series, aluminium cased, stepper motor driven peristaltic pump offers an accurate, reliable and easily adjustable means of dosing a wide range of fluids, are self priming from dry up to 3m & capable of pumping up to 12m head pressure. Additionally the 300 series offers extremely long tube life because of the low friction needle bearing rollers and unique cantering roller cage.

They are available in various configurations of tubing type, bore ID and pump rpm.

The speed control options are:

- Internal control for tamperproof applications.
- General external control with single turn potentiometer (without scale).
- 10 turn potentiometer with counting dial and locking lever for accurate setting.
- Terminals for 0-5v remote speed control signal.

The stepper motor includes a built in pulse generator for accurate, consistent control and the pump will run clockwise at the required speed once the supply is connected.

The power supply options are:

- Plug in power supply 100-240v AC 1 50/60Hz with UK, Euro & US plug heads.
- No power supply – cable gland fitted for user to wire 24v DC to internal terminal block.

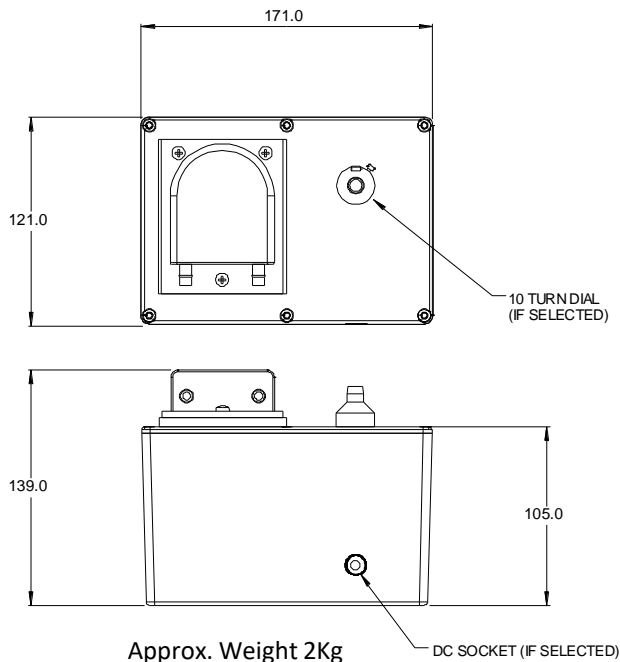
See rear of sheet for option selections.

The Williamson Manufacturing Company Ltd provides no warranty on usage of pumps. We recommend that life tests be carried out prior to use. This information is given in good faith and believed to be correct at the time of publishing. The Williamson Manufacturing Company Ltd cannot accept responsibility for inaccuracy or any errors contained herein. Copyright the Williamson Manufacturing Company Ltd 2008.

Williamson Manufacturing Co Ltd
Unit 5 Lady Bee Industrial Estate
Southwick
West Sussex BN42 4EP
UK

Email: sales@williamsonpumps.co.uk

Dimensions (mm)



Flow rates

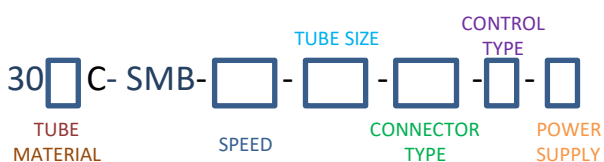
Tube Size	Silicone Tube	Santoprene	Viton®	Norprene Chemical®
3	1.1ml/rev	1ml/rev	0.8ml/rev	0.9ml/rev
5	2.2ml/rev	2ml/rev	1.6ml/rev	1.8ml/rev
6	3.2ml/rev	3ml/rev	2.4ml/rev	2.8ml/rev

Note: Above figures are based on pumping water and are for guidance only. Flow rate is subject to tube tolerance, tube age, back pressure and fluid viscosity.

Materials of Construction	
Pump Body	Polypropylene
Pump Cover	Polypropylene
Rotor	Aluminium (plated)
Needle bearing rollers	Stainless steel
Inlet/outlet moulding	Nylon
Case	Aluminium (painted)

Part Numbers

DEVISE YOUR PRODUCT CODE USING THE PRODUCT CODES FROM THE TABLE (RIGHT) WHERE STATED BELOW. (PLEASE NOTE EXCLUSIONS LISTED IN TABLE).



FOR EXAMPLE AN 300 SERIES CASSED STEPPER WITH SILICONE TUBE, SMB DRIVER, 150 RPM, WITH 5mm ID TUBE, POLYPROPYLENE CONNECTORS, 0-5V SPEED CONTROL & DC SOCKET WITH PLUG IN POWER SUPPLY WOULD BE:
300C-SMB-150-050-PP-3-0

OPTIONS	PRODUCT CODE
TUBE MATERIAL	
SILICONE	0
SANTOPRENE	1
VITON® (3 & 5mm TUBE ONLY)	2
NORPRENE CHEMICAL®	7
SPEED	
0.15-150 RPM	150
2-250 RPM	250
TUBE SIZE	
3.2mm ID (PP CONNECTORS ONLY)	030
4.8mm ID	050
6.4mm ID (NOT AVAILABLE IN VITON)	060
CONNECTOR TYPE	
POLYPROPYLENE	PP
STANDARD (NOT 3MM TUBE)	NO CODE
CONTROL TYPE	
EXTERNAL POTENTIOMETER & CONTROL KNOB	0
EXTERNAL POTENTIOMETER WITH 10 TURN DIAL	1
INTERNAL POTENTIOMETER & CONTROL KNOB	2
0-5V DC SPEED CONTROL SIGNAL (ACTUAL 0.5-4.5V)	3
POWER SUPPLY	
DC SOCKET WITH PLUG IN POWER SUPPLY	0
CABLE GLAND FOR 24V DC OPERATION	2

The Williamson Manufacturing Company Ltd provides no warranty on usage of pumps. We recommend that life tests be carried out prior to use. This information is given in good faith and believed to be correct at the time of publishing. The Williamson Manufacturing Company Ltd cannot accept responsibility for inaccuracy or any errors contained herein. Copyright the Williamson Manufacturing Company Ltd 2008.

Williamson Manufacturing Co Ltd
 Unit 5 Lady Bee Industrial Estate
 Southwick
 West Sussex BN42 4EP
 UK

Email: sales@williamsonpumps.co.uk