

250 Series DC motor Pump

- **Clamshell design**
- **Easy tube change**
- **Clip on pump head**
- **4 or 6 roller options**
- **Anti-tamper locking screw**
- **Sprung tube grips**



The 250 series brushed DC motor peristaltic pump is designed for accurately dispensing fluids. The tube can easily be changed by operating the lever which lifts the top part of the pump clear of the tube. The pump has sprung tube grips & is available with either 4 or 6 rollers (4 rollers will cause less wear and give a higher flow but 6 rollers will give a less pulsating flow). The pumps are designed to use 1.6mm wall thickness tubing up to 5mm bore diameter.

Flow Rates

Tube Bore Diameter	4 Roller	6 Roller
1.6mm	0.19 ml/rev	0.17 ml/rev
3.2mm	0.66 ml/rev	0.5 ml/rev
4.8mm	1.25 ml/rev	0.83 ml/rev

Note: All flow rates are approximate and will vary with tube material, fluid viscosity, back pressure & tolerances.

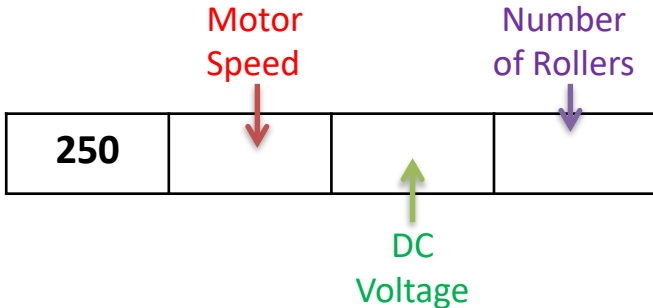
Note: Pump is supplied as standard without tubing which should be ordered separately.

The Williamson Manufacturing Company Ltd provides no warranty on usage of pumps. We recommend that life tests be carried out prior to use. This information is given in good faith and believed to be correct at the time of publishing. The Williamson Manufacturing Company Ltd cannot accept responsibility for inaccuracy or any errors contained herein. Copyright the Williamson Manufacturing Company Ltd 2008.

Williamson Manufacturing Co Ltd
Unit 5, Lady Bee Industrial Estate
Albion Street
Southwick
West Sussex BN42 4EP
UK
Email: sales@williamsonpumps.co.uk

250 Series DC motor Pump

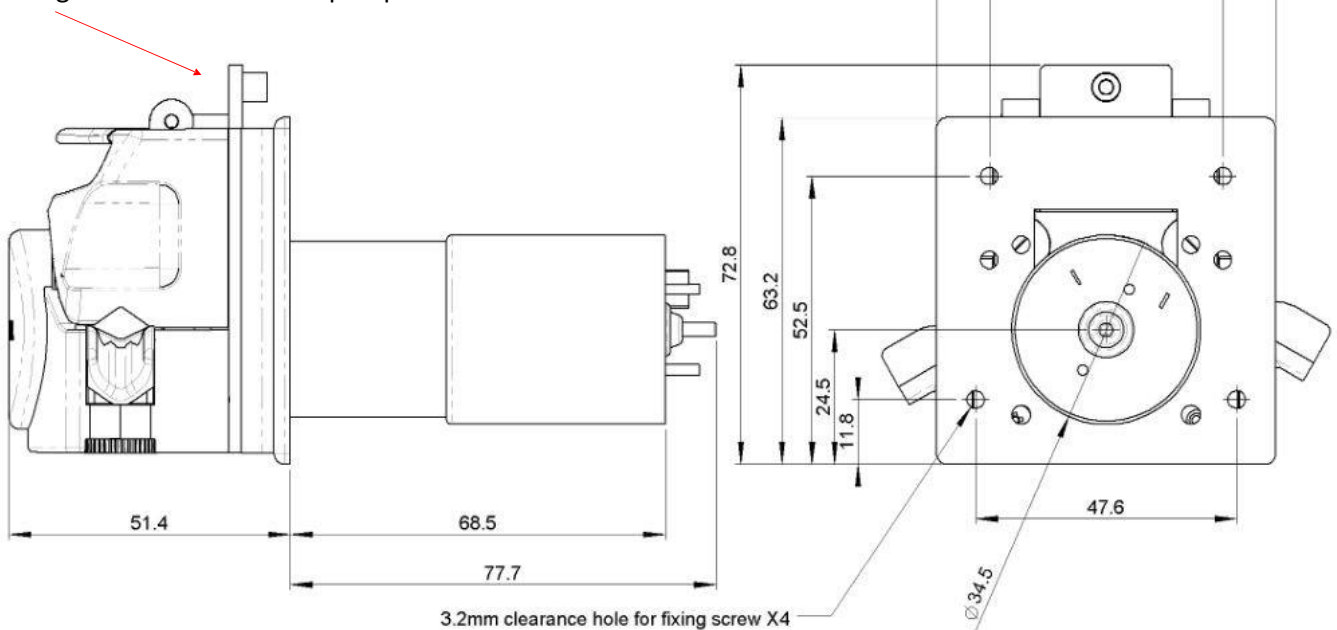
Devise your product code using codes from the table on the right where stated below.



Example: 250-035-012/4U
Is a 250 series pump with a 35rpm 12v DC motor fitted with 4 rollers.

	Product Code
Motor Speed RPM	
35	035
298	298
420	420
DC Voltage	
12	012
24	024
Number of Rollers	
4	/4U
6	/6U

The pump head can be removed from the rest of the assembly by first **removing the locking screw** located behind where the tube sits (accessible once top part of the pump is raised) and then rotating the pump head anti clockwise on its bayonet fitting whilst pressing on the rectangular lever behind the pump head lift lever.



The drawing shows the Larger 298 or 420 rpm motors.

The Williamson Manufacturing Company Ltd provides no warranty on usage of pumps. We recommend that life tests be carried out prior to use. This information is given in good faith and believed to be correct at the time of publishing. The Williamson Manufacturing Company Ltd cannot accept responsibility for inaccuracy or any errors contained herein. Copyright the Williamson Manufacturing Company Ltd 2008.

Williamson Manufacturing Co Ltd
Unit 5, Lady Bee Industrial Estate
Albion Street
Southwick
West Sussex BN42 4EP
UK
Email: sales@williamsonpumps.co.uk