

- Compact
- Quiet in operation
- Wide flow rate range
- Multiple options



The 200 series aluminium cased stepper motor pump offers a compact, accurate, reliable and easily adjustable means of dosing a wide variety of fluids. It is available with multiple tube materials and sizes giving flow rates between 0.03 and 410ml per minute.

The pumps are available with 4 speed control options:

Potentiometer & control knob mounted on the front face of the case.

Multi turn potentiometer & count dial mounted on the front face of the case.

Potentiometer and control knob mounted inside the case.

0-5v input.

The speed ranges available are 0.15 to 20, 0.15 to 38, 0.15 to 150 & 2 to 250 rpm although the latter is confined to silicone pump tubing.

The unit comes with a plug in power supply complete with UK,EU & USA heads for use on 110/230v AC supplies as standard or can be supplied with internal terminals & Cable gland entry for customer direct 24v DC connection.

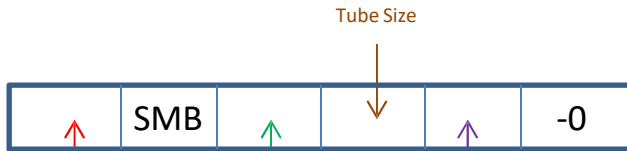
The Williamson Manufacturing Company Ltd provides no warranty on usage of pumps. We recommend that life tests be carried out prior to use. This information is given in good faith and believed to be correct at the time of publishing. The Williamson Manufacturing Company Ltd cannot accept responsibility for inaccuracy or any errors contained herein. Copyright the Williamson Manufacturing Company Ltd 2008.

Williamson Manufacturing Co Ltd
Unit 5 Lady Bee Industrial Estate
Southwick
West Sussex BN42 4EP
UK

Email: sales@williamsonpumps.co.uk

200 series cased stepper motor pump.

Devise your product code by using codes from the table on the right where stated below.



Pump Series & Tube Material

Speed

Speed control type

202C-SMB-150-030-0-0

Example product code for 200 series cased stepper pump fitted with Viton® tubing , 0.15 to 150 rpm, 3mm ID tubing, Case mounted speed control potentiometer and complete with 24v Dc plug in power supply.



10 turn count dial

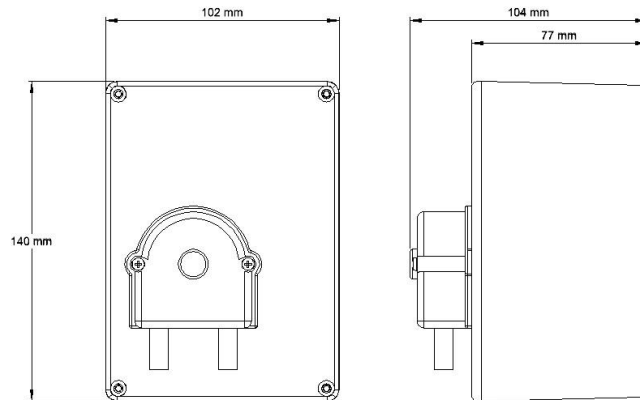
	Product Code
Pump Series and Tube Material	
Silicone	200C
Tygon® A60F Norprene	201C
Viton®	202C
Tygon Chemical® Norprene (3mm & 5mm tube size only)	207C
Motor Speed range RPM	
0.15 to 20	-020
0.15 to 38	-040
0.15 to 150	-150
2.0 to 250 (Silicone tube only)	-250
Tube Size	
1.6	-016
3.0	-030
5.0	-050
Speed control type	
control potentiometer & knob on face of case	-0
10 Turn potentiometer & count dial on face of case	-1
Internal control potentiometer & knob	-2
0-5v external speed control voltage	-3

Approximate flow rates:

1.6 tube 0.2ml/rpm. 3.0 tube 0.59ml/rpm. 5.0 tube 1.18ml/rpm

Flow rates based on Silicone tubing Tygon Norprene will be approx 10% less & Tygon Chemical & Viton will both be about 20-25% less.

Flow rates for guidance only and subject to tube tolerance, tube age, fluid viscosity & back pressure.



The Williamson Manufacturing Company Ltd provides no warranty on usage of pumps. We recommend that life tests be carried out prior to use. This information is given in good faith and believed to be correct at the time of publishing. The Williamson Manufacturing Company Ltd cannot accept responsibility for inaccuracy or any errors contained herein. Copyright the Williamson Manufacturing Company Ltd 2008.

Williamson Manufacturing Co Ltd
Unit 5 Lady Bee Industrial Estate
Southwick
West Sussex BN42 4EP
UK

Email: sales@williamsonmcpumps.co.uk