

100CPT SERIES with AC powered motor

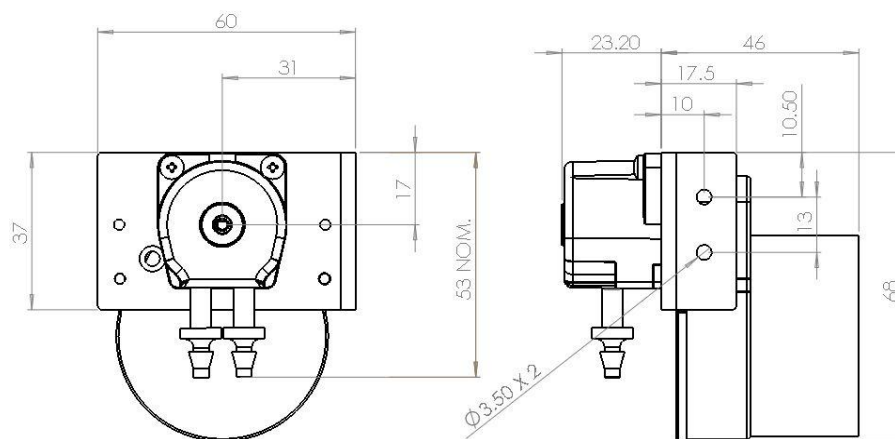
- Very Compact
- Low Cost
- 3 Motor Speed Options
- Various Tube Materials/Sizes
- 2 or 4 Rollers
- Integral Tube Grips



The 100CPT series, micro range of peristaltic pumps offer a low cost, compact & reliable means of dosing a wide range of liquids. They are available in various configurations of tubing type & size giving flow rates of between 0.08 & 0.26 ml/rev. The pump head is designed to be disposable but is assembled using two screws enabling dis-assembly & re-assembly for tube changing if required.

Important: These pumps are not suitable for use in wet or high humidity areas and should be fitted by a suitably qualified person.

DIMENSIONS (mm)

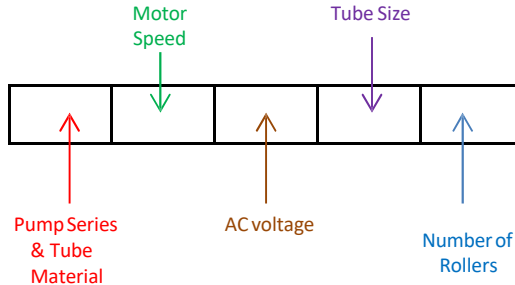


The Williamson Manufacturing Company Ltd provides no warranty on usage of pumps. We recommend that life tests be carried out prior to use. This information is given in good faith and believed to be correct at the time of publishing. The Williamson Manufacturing Company Ltd cannot accept responsibility for inaccuracy or any errors contained herein. Copyright the Williamson Manufacturing Company Ltd 2008.

Williamson Manufacturing Co Ltd
Unit 5, Lady Bee Industrial Estate
Albion Street
Southwick
West Sussex BN42 4EP
UK
Email: sales@williamsonpumps.co.uk

100CPT series with AC powered motor

Devise your product code by using codes from the table on the right where stated below.



102CPT-015-230-016/4

Example product code for 100CPT series pump head fitted with Viton® tubing, 15 RPM, 230v AC, 1.6mm ID tubing & 4 rollers

Motor specifications:
 50/60Hz 5w. Dielectric strength 2000v AC 1 sec.
 Insulation Class E. Reliability 5 x 10⁶Starts(min)

	Product Code
Pump Series and Tube Material	
Silicone	100CPT
Tygon® A60F Norprene	101CPT
Viton®	102CPT
Tygon Chemical® Norprene (3mm tube size only)	107CPT
Motor Speed RPM (based on 50Hz)	
8	-008
15	-015
30	-030
AC Voltage	
115v (minimum order quantity of 48 units)	-115
230v	-230
Tube Size (bore) mm	
1.6	-016
3.0	-030
Number of rollers	
2	/2
4	/4

Materials of construction

Body & Back Plate	Rotor	Rollers	Bracket
SAN	POM	Stainless Steel	Zintec

Flow Rates ml per revolution

Flow rates for guidance only and subject to tube tolerance, tube age, fluid viscosity & back pressure.

No of Rollers	1.6mm ID Tube			3.0mm ID Tube			
	SIL	A60F	Viton	SIL	A60F	Viton	Tygon Chemical
2	0.1	0.09	0.08	0.26	0.2	0.18	0.19
4	0.08	0.07	0.06	0.22	0.16	0.14	0.15

The Williamson Manufacturing Company Ltd provides no warranty on usage of pumps. We recommend that life tests be carried out prior to use. This information is given in good faith and believed to be correct at the time of publishing. The Williamson Manufacturing Company Ltd cannot accept responsibility for inaccuracy or any errors contained herein. Copyright the Williamson Manufacturing Company Ltd 2008.

Williamson Manufacturing Co Ltd
Unit 5, Lady Bee Industrial Estate
Albion Street
Southwick
West Sussex BN42 4EP
UK
Email: sales@williamsonpumps.co.uk